

## Vacuum Hose

VS for hose nipple

**FEZER**  
Simply move more.

### Description

Robust vacuum hose with wire insert which prevents a compression of the hose - even on high vacuum. The vacuum hoses are available in various materials and suitable for vacuum pumps.

### Application

- on vacuum systems
- for vacuum lifters
- for robust applications
- suitable for cable drag chains (PU)



VS-1/2-S ... VS-1-S

### Article number

Type	Material sold by metre	Coil	Length of Coil (m)	Suitable hose clamps	
VS-10-T-PVC	1.54.1.0025	1.54.1.0026	30	SK-10	6.21.1.0657
VS-1/2-T-PVC	1.54.1.0020	1.54.1.0021	30	SK-1/2	6.21.1.0656
VS-1/2-T-PU	1.54.1.0086	1.54.1.00127	30	SK-1/2	6.21.1.0656
VS-1/2-S	1.54.1.0018	1.54.1.0019	25	SK-1/2	6.21.1.0656
VS-3/4-T-PVC	1.54.1.0033	1.54.1.0034	30	SK-3/4	6.21.1.0658
VS-3/4-T-PU	1.54.1.0066	1.54.1.00128	30	SK-3/4	6.21.1.0658
VS-3/4-S	1.54.1.0031	1.54.1.0032	25	SK-3/4	6.21.1.0658
VS-1-T-PVC	1.54.1.0029	1.54.1.0030	30	SK-1	6.21.1.0655
VS-1-T-PU	1.54.1.0126	1.54.1.00129	30	SK-1	6.21.1.0655
VS-1-S	1.54.1.0027	1.54.1.0028	25	SK-1	6.21.1.0655
VS-38-T-PVC	1.54.1.0035	1.54.1.0036	30	SK-38	6.21.1.0659

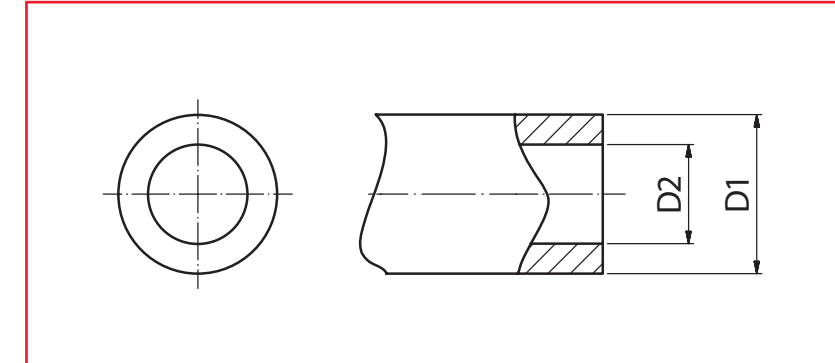
### Technical data

Type	Pressure range (bar)	Material	Bend radius (mm)	Volume (l/m)	Temperature (°C)	Weight (kg/m)
VS-10-T-PVC	-1 ... 0	PVC	22	0,080	- 10 ... + 70 °C	0,16
VS-1/2-T-PVC	-1 ... 0	PVC	32	0,015	- 10 ... + 70 °C	0,34
VS-1/2-T-PU	-1 ... 0	PU	25	0,015	- 20 ... + 90 °C	0,34
VS-1/2-S	-1 ... 0	SBR+CR	70	0,015	- 10 ... + 70 °C	0,35
VS-3/4-T-PVC	-1 ... 0	PVC	52	0,031	- 10 ... + 70 °C	0,38
VS-3/4-T-PU	-1 ... 0	PU	35	0,031	- 20 ... + 90 °C	0,38
VS-3/4-S	-1 ... 0	SBR+CR	100	0,031	- 10 ... + 70 °C	0,43
VS-1-T-PVC	-1 ... 0	PVC	62	0,050	- 10 ... + 70 °C	0,51
VS-1-T-PU	-1 ... 0	PU	40	0,050	- 20 ... + 90 °C	0,51
VS-1-S	-1 ... 0	SBR+CR	180	0,050	- 10 ... + 70 °C	0,74
VS-38-T-PVC	-1 ... 0	PVC	92	0,113	- 10 ... + 70 °C	0,95

## Vacuum Hose

VS for hose nipple

**FEZER**  
Simply move more.



VS-10 ... VS-38, VS-1/2-S ... VS-1-S

### Dimensions

Type	D1	D2
VS-10-T-PVC	16	10
VS-1/2-T-PVC	20	14
VS-1/2-T-PU	21,5	14
VS-1/2-S	21,5	14
VS-3/4-T-PVC	26,5	20
VS-3/4-T-PU	26,5	20
VS-3/4-S	28	20
VS-1-T-PVC	34	25
VS-1-T-PU	34	25
VS-1-S	33	25
VS-38-T-PVC	50	38

### Material characteristics

Criteria	PVC	PU	S
Material	Polyvinylchloride	Polyurethane	SBR+CR
Oil resistance	+	+++	+++
Weather resistance	+	+++	+++
Wear resistance	++	+++	+++
Cable drag suitability	+	+++	+
Tensile strength	20 N/mm <sup>2</sup>	50 N/mm <sup>2</sup>	30 N/mm <sup>2</sup>

not suitable -  
limited suitability +  
well suitable ++  
very well suitable +++