

Vacuum hose

VS for tube socket

FEZER
Simply move more.

Description

Robust vacuum hoses in spiral design with large flow cross sections and wire insert. The vacuum hoses are available in various materials and designed for vacuum blowers.

Application

- on vacuum systems with blowers
- for robust applications
- suitable for cable drag chains (PU)



VS-22 ... VS-60

Article number

Type	Material sold by the metre	Coil 20m	Suitable hose clamp	
VS-22-PVC	5.26.4.0400	5.26.4.0402	SK-22	5.26.4.0004
VS-22-PU	5.26.4.0012	5.26.4.0401	SK-22	5.26.4.0004
VS-32-PVC	5.26.4.0013	5.26.4.0403	SK-32	5.26.4.0003
VS-32-PU	5.26.4.0014	5.26.4.0404	SK-32	5.26.4.0003
VS-40-PVC	5.26.4.0399	5.26.4.0405	SK-40	5.26.4.0268
VS-40-PU	5.26.4.0073	5.26.4.0406	SK-40	5.26.4.0268
VS-45-PVC	5.26.4.0386	5.26.4.0407	SK-46	5.26.4.0020
VS-45-PU	5.26.4.0019	5.26.4.0408	SK-46	5.26.4.0020
VS-50-PVC	5.26.4.0015	5.26.4.0409	SK-50	5.26.4.0005
VS-50-PU	5.26.4.0016	5.26.4.0410	SK-50	5.26.4.0005
VS-60-PVC	5.26.4.0072	5.26.4.0411	SK-60	5.26.4.0276
VS-60-PU	5.26.4.0071	5.26.4.0412	SK-60	5.26.4.0276

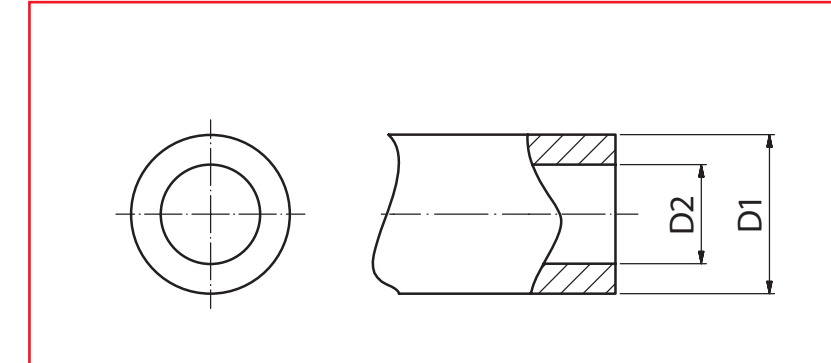
Technical data

Type	Pressure range (bar)	Material	Bend radius (mm)	Volume (l/m)	Temperature (°C)	Weight (kg/m)
VS-22-PVC	-1 ... 0	PVC	30	0,038	-10 ... +60	0,12
VS-22-PU	-1 ... 0	PU	25	0,038	-20 ... +80	0,12
VS-32-PVC	-1 ... 0	PVC	40	0,080	-10 ... +60	0,18
VS-32-PU	-1 ... 0	PU	35	0,080	-20 ... +80	0,18
VS-40-PVC	-1 ... 0	PVC	50	0,126	-10 ... +60	0,22
VS-40-PU	-1 ... 0	PU	45	0,126	-20 ... +80	0,22
VS-45-PVC	-1 ... 0	PVC	60	0,159	-10 ... +60	0,27
VS-45-PU	-1 ... 0	PU	55	0,159	-20 ... +80	0,27
VS-50-PVC	-1 ... 0	PVC	90	0,196	-10 ... +60	0,76
VS-50-PU	-1 ... 0	PU	85	0,196	-20 ... +80	0,76
VS-60-PVC	-1 ... 0	PVC	120	0,283	-10 ... +60	0,88
VS-60-PU	-1 ... 0	PU	110	0,283	-20 ... +80	0,88

Vacuum Hose

VS for tube socket

FEZER
Simply move more.



VS-22 ... VS-60

Dimensions

Type	D1	D2
VS-22-PVC	25	22
VS-22-PU	25	22
VS-32-PVC	36	32
VS-32-PU	36	32
VS-40-PVC	44	40
VS-40-PU	44	40
VS-45-PVC	49	45
VS-45-PU	49	45
VS-50-PVC	55	50
VS-50-PU	55	50
VS-60-PVC	66	60
VS-60-PU	66	60

Material characteristics

Criteria	PVC	PU
Material	Polyvinylchloride	Polyurethane
Oil resistance	+	+++
Weather resistance	+	+++
Wear resistance	++	+++
Cable drag suitability	+	+++
Tensile strength	15 N/mm ²	40 N/mm ²
not suitable -		
limited suitability	+	
well suitable	++	
very well suitable	+++	