

## Electronic Vacuum Switch

VSEI - Inline design



### Description

Electronical vacuum switch with Piezo-Quarz technology in compact design for inline installation. The switch has 1 adjustable switching exit and anadjustable hysteresis function. The switching exit and the hysteresis are programmed by teach operation. The vacuum switch has also an LED switching point display and plug-in cable connections. Supplied with a holder for the vacuum switch.

### Application

- supervision of vacuum circuits
- Mounted by „inline“-installation in hose
- extremely compact design, any mounting position



VSEI

### Article number

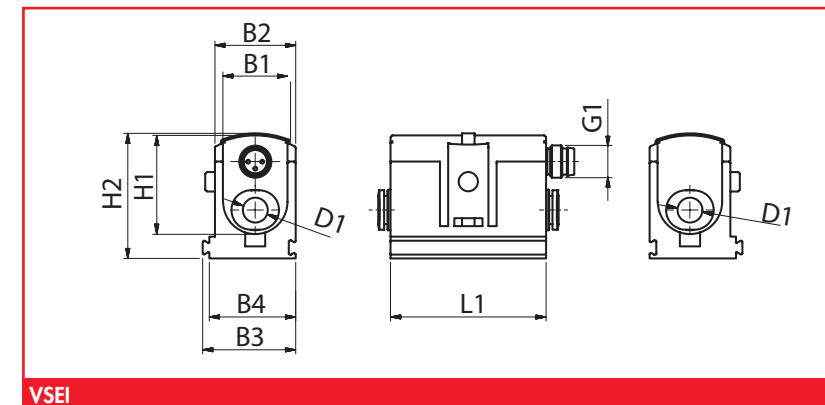
Type	
VSEI-4-PNP-NO	1.52.3.0036
VSEI-4-PNP-NC	1.52.3.0037
VSEI-6-PNP-NO	1.52.3.0038
VSEI-6-PNP-NC	1.52.3.0039

### Technical data

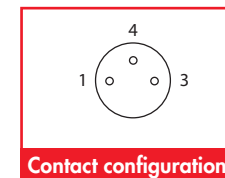
Type		VSEI
Measure medium		dry, oilless unaggressive gases
Meas.range	(bar)	-1 ... 0
Overpressure safety	(bar)	2
Fluid connection		Schlauch-Ø 4 othe 6 mm
Switching exit digital	(mA/V)	1xPNP
Switching logic		NO/NC
Switching range		0 ... 100% adjustable
Switching exit analogous	(V)	---
Hysteresis setting		max. 2% FS (fixed)
Condition display		LED in housing
Repeat precision		+/- 0,3 % FS
Reaction time	(ms)	< 10
Voltage	(V)	15 ... 30 DC
Current consumption	(mA)	< 30
max. Current	(mA)	100
electrical Connection		Plug M8 - 3 cores
Protection class		IP40
Temperature range	(°C)	0 ... +50
Weight	(kg)	0,020

## Electronic Vacuum Switch

VSEI - Inline design



VSEI



Contact configuration

- 1 (brown) V +
- 3 (blue) V -
- 4 (black) Switching exit 1 digital

### Dimensions

Type	L1	B1	B2	B3	B4	H1	H2	D1	G1
VSEI-4 ...	38,5	16	20	23	21,4	24,5	31	4	M8
VSEI-6 ...	38,5	16	20	23	21,4	24,5	31	6	M8