

electronic Vacuum switch

VSA-1/4 - analogous design

Description

Electronical Vacuum switch with Piezo-Quarz-Technik in robusten Plastic housing und Anzeigedisplay. The Switch verfügt über 1 analogen Switching exit sowie verschiedenste Einstellmöglichkeiten. Durch das analoge Ausgangssignal können nicht nur Switching pointe definiert werden, sondern es besteht die Möglichkeit, Vacuumsysteme auszuwerten, und zu diagnostizieren.

Application

- Diagnosesystem von Vakuumkreisen
- Definieren von mehreren Switching pointen
- einfache Anbindung an übergeordnete Steuerungen
- Compacte Bauweise with beliebiger Einbaulage

Article number

Type	
VSA-1/4-1	1.52.3.0033

Technical data

Type		VSD-1/4
Measure medium		dry, oilless unaggressive gases
Meas.range	(bar)	-1 ... 1
Overpressure safety	(bar)	10
Fluid connection		G1/4
Switching exit digital	(mA/V)	---
Switching logic		---
Switching range		---
Switching delay	(s)	0 ... 50 adjustable
Switching exit analogous		0 ... 10V / 4 ... 20mA
Setting possibilities		Hysteresis, window, NO/NC, delays dampening, display units
Condition display		1 x LED im Display
Repeat precision		+/- 0,1
Reaction time	(ms)	< 10
Voltage	(V)	18 ... 36 DC
Current consumption	(mA)	< 50
max. Current	(mA)	250
electrical Connection		Plug M12x1 - 4 cores
Protection class		IP65
Temperature range	(°C)	-25 ... +80
Weight	(kg)	0,260

FEZER

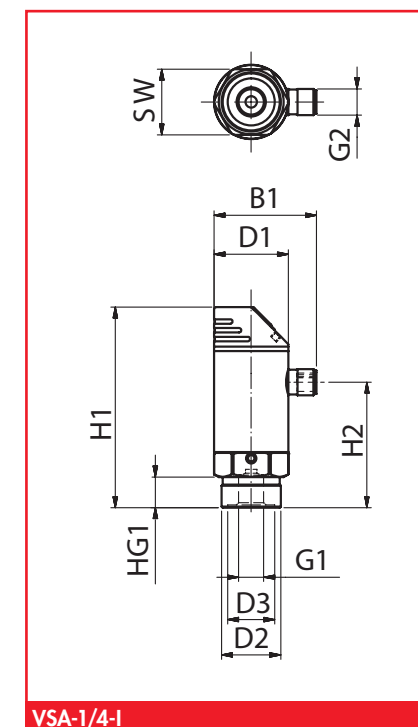
Simply move more.



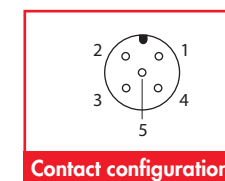
VSA-1/4-1

Electronic Vacuum Switch

VSA-1/4 - analogous design



VSA-1/4-1



Contact configuration

- 1 (brown) V +
- 2 (white) Switching exit 2 analogous
- 3 (blue) V -
- 4 (black) Switching exit 1 digital
- 5 not occupied

Dimensions

Type	D1	D2	D3	B1	H1	H2	HG1	G1	G2	SW
VSD-1/4-1	34	27	21,5	47	91,6	57,3	14	G1/4	M12x1	30

FEZER

Simply move more.