

Measuring and Warning Units

Vacuum gauge VM

Description

Control vacuum gauge in metal sheet housing for the visual display of the operational vacuum. The „red/green-area“ shows readiness for operation. In different designs and connection versions.

Application

- visual control of the vacuum
- readiness display by „red/green-area“
- for manual vacuum lifters



VM-63-1/4 - VM-100-1/2

Article number

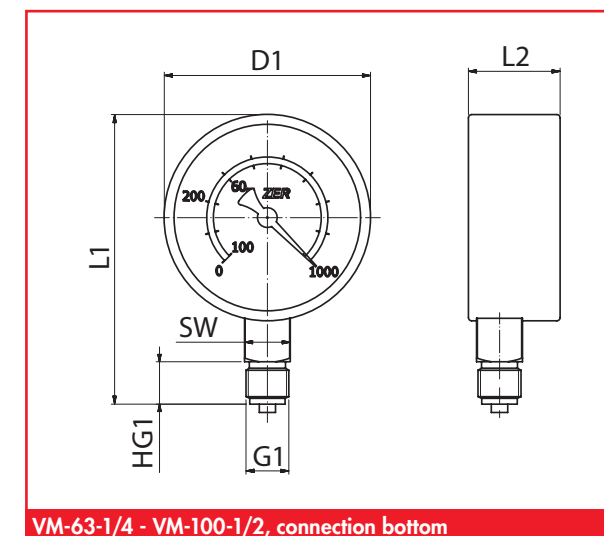
Type	Connection bottom	Connection back
VM-63-1/4-RG60	1.52.5.0010	1.52.5.0008
VM-63-1/4-RG70	1.52.5.0014	1.52.5.0017
VM-63-1/4-RG80	1.52.5.0011	1.52.5.0009
VM-100-1/2-RG10	1.52.5.0003	---
VM-100-1/2-RG20	1.52.5.0004	---
VM-100-1/2-RG30	1.52.5.0013	---
VM-100-1/2-RG60	1.52.5.0005	1.52.5.0001
VM-100-1/2-RG80	1.52.5.0006	1.52.5.0002

Technical data

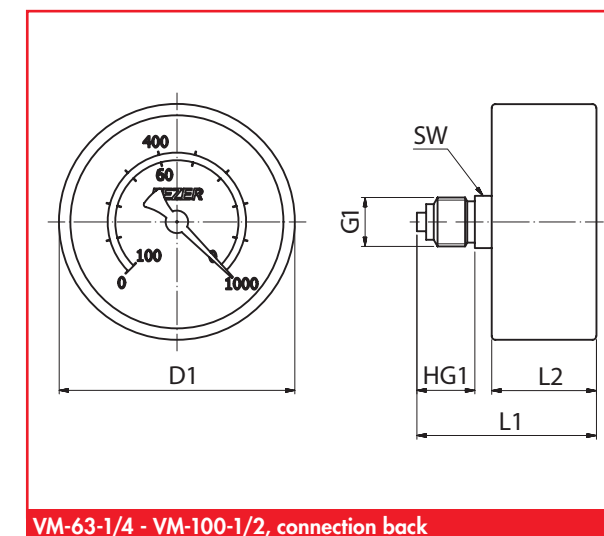
Type	Meas.range (mbar)	Scale unit	Red/green area (mbar)	Weight (kg)
VM-63-1/4-RG60	-1000 ... 0	(mbar) und (%Vak.)	-600	0,135
VM-63-1/4-RG70	-1000 ... 0	(mbar) und (%Vak.)	-700	0,135
VM-63-1/4-RG80	-1000 ... 0	(mbar) und (%Vak.)	-800	0,135
VM-100-1/2-RG10	-160 ... 0	(mbar) und (%Vak.)	-100	0,540
VM-100-1/2-RG20	-250 ... 0	(mbar) und (%Vak.)	-200	0,540
VM-100-1/2-RG30	-400 ... 0	(mbar) und (%Vak.)	-300	0,540
VM-100-1/2-RG60	-1000 ... 0	(mbar) und (%Vak.)	-600	0,300
VM-100-1/2-RG80	-1000 ... 0	(mbar) und (%Vak.)	-800	0,300

Measuring and Warning Units

Vacuum gauge VM



VM-63-1/4 - VM-100-1/2, connection bottom



VM-63-1/4 - VM-100-1/2, connection back

Dimensions

Type	Connection	L1	L2	D1	G1	HG1	SW
VM-63-1/4U-RG60-RG80	bottom	86	28	63	G 1/4"	12	14
VM-63-1/4H-RG60-RG80	back	49	30	63	G 1/4"	12	14
VM-100-1/2U-RG10-RG30	bottom	137	31	100	G 1/2"	20	22
VM-100-1/2H-RG60-RG80	back	51	32	100	G 1/2"	12	14
VM-100-1/2U-RG60-RG80	bottom	142	49	100	G 1/2"	19	22