

Vacuum Pumps

Oilless pumps, silenced VP-TS

FEZER
Simply move more.

Description

Robust, low-maintenance and long-lasting vacuum pump working after the rotation principle. To reduce the noise level the pumps are equipped with a cover made of foamed plastic. The pumps are air-cooled and work absolutely oilless. The pumps are equipped with an integrated filter and a vacuum regulation valve.

Options

- additional vacuum filter
- motor protection switch, vacuum-controlled motor switch
- other voltages on request

Application

- handling of dense to slightly porous workpieces
- environments with low noise level requirements
- can be mounted in any position

Article number

Type		Additional vacuum filter*		Additional filter insert	Motor protection switch**	Vacuum-contr. motor switch***
VP-TS4.16-230V	1.41.2.0068	VF-3/4	1.53.2.0006	2.53.2.0014	6.35.7.0000	6.25.4.0289
VP-TS4.16-230/400V	1.41.2.0067	VF-11/4A	1.53.2.0003	2.53.2.0005	6.35.7.0000	6.25.4.0264
VP-TS4.25-230/400V	1.41.2.0070	VF-11/4A	1.53.2.0003	2.53.2.0005	6.35.7.0000	6.25.4.0265
VP-TS4.40-230/400V	1.41.2.0071	VF-11/4A	1.53.2.0003	2.53.2.0005	6.35.7.0001	6.25.4.0266
VP-TS4.50-230/400V	1.41.2.0072	VF-11/4A	1.53.2.0003	2.53.2.0005	6.35.7.0001	6.25.4.0288

* please order separately

** motor protection switch with housing for 400V, 50Hz

*** vacuum generator is switched on and off depending on vacuum level (energy saving module).



VP-TS4.16 ... VP-TS4.50

Vacuum Pumps

Oilless pumps, silenced VP-TS

FEZER
Simply move more.

Technical data

Type	Vacuum (mbar)	Suction volume (m³/h)		Suction volume (l/s)		Rotation speed (1/min)		Weight (kg)	Noise level dB (A)*
		50 Hz	60 Hz	50 Hz	60 Hz	50 Hz	60 Hz		
VP-TS4.16-230V	-850	16	---	4,45	---	1370	---	33,0	55
VP-TS4.16-230/400V	-850	16	19	4,45	5,28	1420	1700	33,0	55
VP-TS4.25-230/400V	-850	25	30	6,95	8,34	1420	1700	42,0	56
VP-TS4.40-230/400V	-850	40	48	11,1	13,3	1420	1700	42,0	57
VP-TS4.50-230/400V	-700	50	60	13,9	15,3	1420	1700	42,0	62

* Specification at 50 Hz

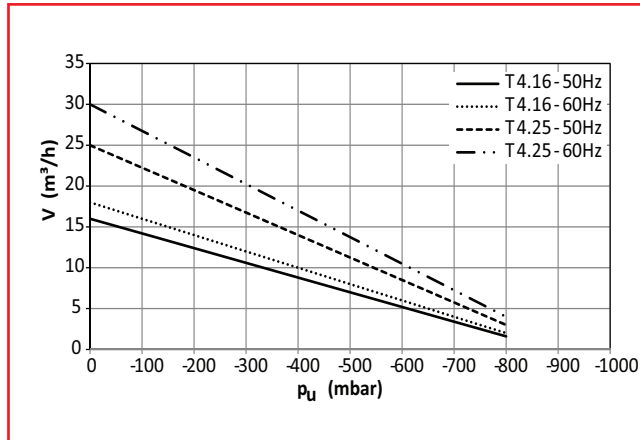
Electrical data

Type	Power (kW)		Voltage (V)		Current consumption (A)		Safety category	Efficiency category
	50 Hz	60 Hz	50 Hz	60 Hz	50 Hz	60 Hz		
VP-TS4.16-230V	0,55	0,44	220-240	220-240	4,6/5,2	4,6/5,2	IP54	IE1
VP-TS4.16-230/400V	0,55	0,70	175-260/300-450	202-300/350-520	3,8/2,25	3,9/2,25	IP54	IE1
VP-TS4.25-230/400V	0,75	0,90	190-255/330-440	190-290/330-500	6,0/3,5	6,0/3,5	IP54	IE1
VP-TS4.40-230/400V	1,25	1,50	190-255/330-440	190-290/330-500	6,9/4,0	6,9/4,0	IP54	IE1
VP-TS4.50-230/400V	1,25	1,50	190-255/330-440	190-290/330-500	6,9/4,0	6,9/4,0	IP54	IE1

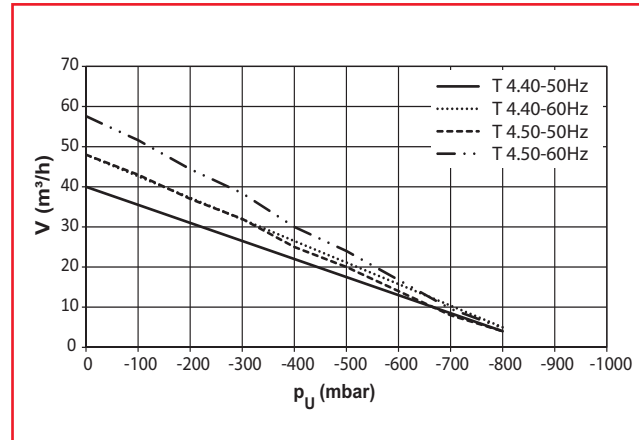
Vacuum Pumps

Oilless pumps, silenced VP-TS

FEZER
Simply move more.



Air flow T4.16, T4.25 in dependence to grade of evacuation

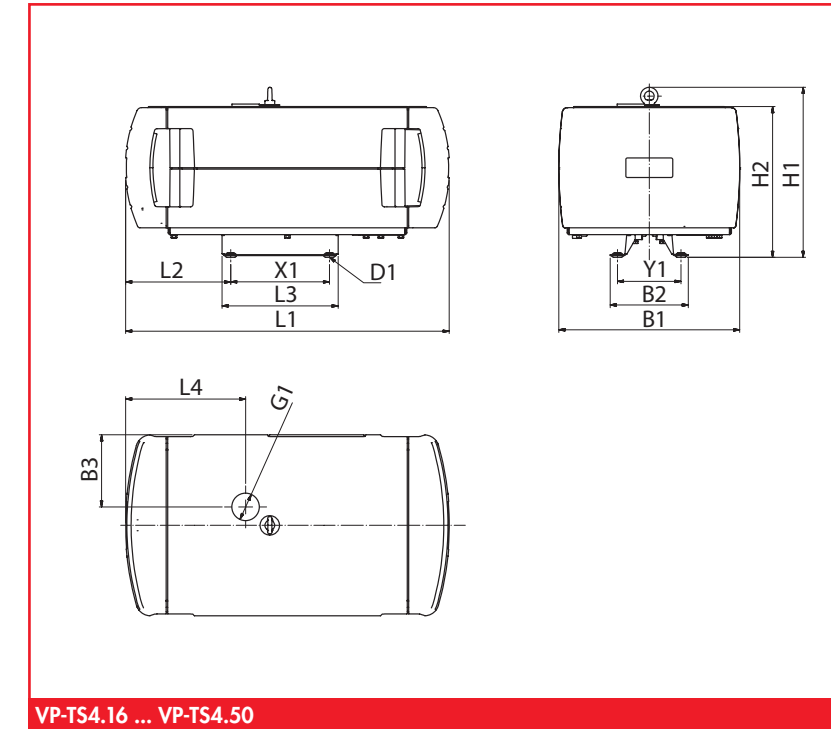


Air flow T4.40, T4.50 in dependence to grade of evacuation

Vacuum Pumps

Oilless pumps, silenced VP-TS

FEZER
Simply move more.



VP-TS4.16 ... VP-TS4.50

Dimensions

Type	L1	L2	L3	L4	B1	B2	B3	H1	H2	X1	Y1	D1	G1
VP-TS4.16-230V	662	215	237	245	370	160	148	348	308	202	130	8	G1/2
VP-TS4.16-230/400V	806	282	267	360	445	230	182	366	326	220	203	8	G1/2
VP-TS4.25-230/400V	806	282	267	360	445	230	182	366	326	220	203	8	G3/4
VP-TS4.40-230/400V	806	282	267	360	445	230	182	366	326	220	203	8	G3/4
VP-TS4.50-230/400V	806	282	267	360	445	230	182	366	326	220	203	8	G3/4