

Blowers

belt-driven SKE



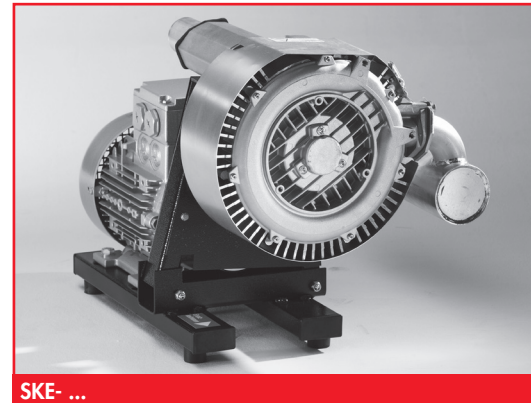
Description

Belt-driven vacuum blower with solid diecast housing and closed grooved bearing and lifetime lubrication. Ribs on the housing and cover allow a very good heat conduction, which supports the motor airflow.

As a standard with mounted silencers to reduce the noise level. Additionally a silencer box can be added, which makes a noise reduction to ca. 65 dB(A) possible.

Application

- handling of very porous workpieces like chipboards, MDF-board, cardboard boxes etc.
- to be used with tube lifters
- requires stable, horizontal installation position



SKE- ...

Article number

Type		suitable Vacuum filter		Motor protection switch*
SKE-0080-230/400V-2,2kW	4.26.3.0008	SFS-50	4.26.4.0121	6.35.7.0002
SKE-0080-230/400V-3,0kW	4.26.3.0043	SFS-50	4.26.4.0121	6.35.7.0005
SKE-0120-230/400V-4,0kW	4.26.3.0010	SFS-50	4.26.4.0121	6.35.7.0005

* Motor protection switch with housing for 400V, 50Hz

Blowers

belt-driven SKE



Technical data

Type	Vacuum (mbar)	Suction volume (m³/h)		Suction volume (l/s)		Rotation speed (1/min)		Weight (kg)	Noise level dB (A)*
		50 Hz	60 Hz	50 Hz	60 Hz	50 Hz	60 Hz		
SKE-0080-230/400V-2,2kW	-500	168	---	46,67	---	2890	---	42	79
SKE-0080-230/400V-3,0kW	-500	190	---	46,67	---	2905	---	46	79
SKE-0120-230/400V-4,0kW	-500	288	---	80,00	---	2950	---	50	83

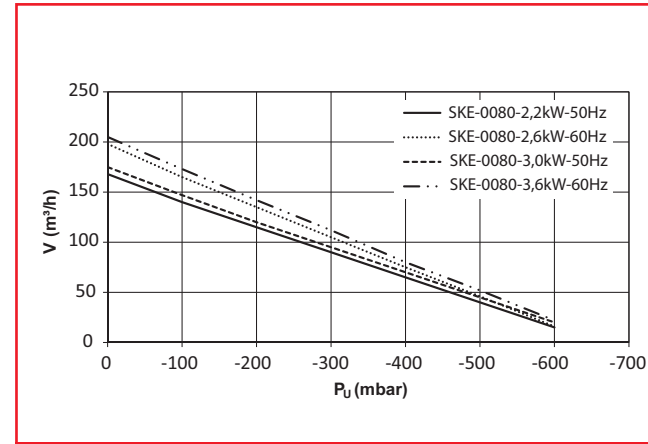
* at 50 Hz

Electrical data

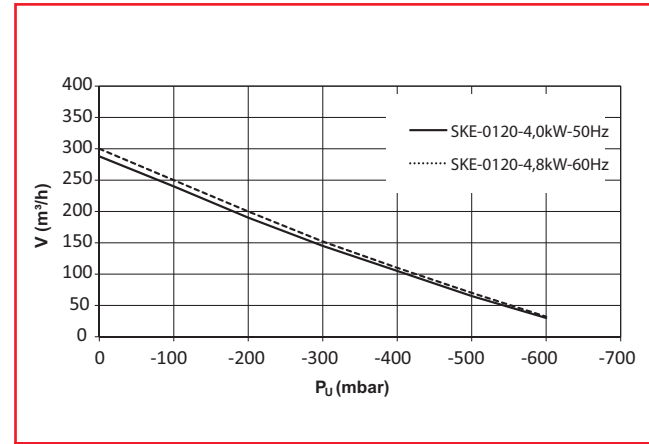
Type	Power (kW)		Voltage (V)		Current consumption (A)		Safety category	Efficiency category
	50 Hz	60 Hz	50 Hz	60 Hz	50 Hz	60 Hz		
SKE-0080-230/400V-2,2kW	2,2	---	230/400 +/-10%	---	7,6/4,4	---	IP55	IE2
SKE-0080-230/400V-3,0kW	3,0	---	230/400 +/-10%	---	10,6/6,1	---	IP55	IE2
SKE-0120-230/400V-4,0kW	4,0	---	230/400 +/-10%	---	13,6/7,8	---	IP55	IE2

Blowers

belt-driven SKE



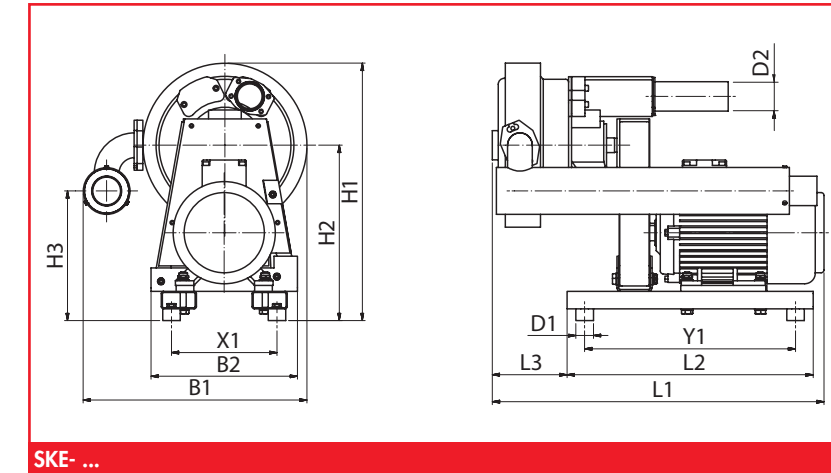
Suction capacity SKE-080 in dependence to evacuation grade



Suction capacity SKE-0120 in in dependence to evacuation grade

Blowers

belt-driven SKE



SKE- ...

Dimensions

Type	L1	L2	L3	B1	B2	H1	H2	H3	D1	D2	X1	Y1
SKE-0080-230/400V-2,2kW	566	420	125	382	250	440	300	221	30	50	180	360
SKE-0080-230/400V-3,0kW	620	420	125	382	250	440	300	221	30	50	180	360
SKE-0120-230/400V-4,0kW	650	420	125	382	250	470	300	221	30	50	180	360