

## Vacuum Blowers

with fly-wheel SD

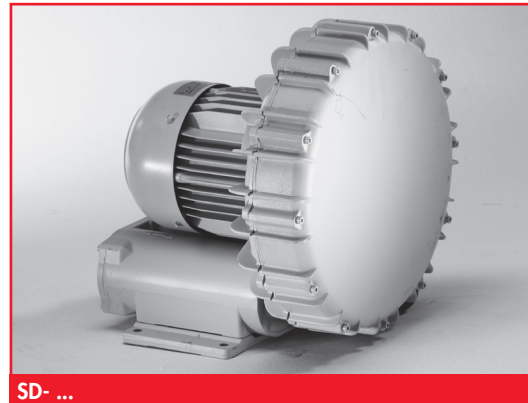
**FEZER**  
Simply move more.

### Description

Directly driven vacuum blower with solid diecast housing and closed grooved ball bearing with life-time lubrication. The blower is equipped with a fly-wheel which guarantees an increased deceleration. Ribs on the housing and cover allow a very good heat conduction. As a standard with mounted silencer to reduce the noise level.

### Application

- handling of highly porous workpieces like chipboards, MDF-board, cardboard boxes etc.
- use for manual handling devices. The fly-wheel guarantees an increased rotation time in case of a power failure(DIN EN 13155)
- control of the vacuum by reversing valve
- any mounting position



SD- ...

### Article number

Type		suitable vacuum filter		Motor protection switch*
SD-4-170-230/400V-1,1kW	1.43.1.0010	VF-2 1/2	1.53.2.0005	6.35.7.0001
SD-400-170-230/400V-1,5kW	1.43.1.0028	VF-2 1/2	1.53.2.0005	6.35.7.0001
SD-6-280-230/400V-2,3kW	1.43.1.0013	VF-2 1/2	1.53.2.0005	6.35.7.0002

\* motor protection switch with housing for 400V, 50Hz

## Vacuum Blowers

with fly-wheel SD

**FEZER**  
Simply move more.

### Technical data

Type	Vacuum (mbar)	Suction volume (m³/h)		Suction volume (l/s)		Rotation speed (1/min)		Weight (kg)	Noise level dB (A)*
		50 Hz	60 Hz	50 Hz	60 Hz	50 Hz	60 Hz		
SD-4-170-230/400V-1,1kW	-185	168	204	46,7	56,7	2830	3400	22	76
SD-400-170-230/400V-1,5kW	-260	168	204	46,7	55,7	2840	3450	23	76
SD-6-280-230/400V-2,3kW	-230	276	324	76,7	90,0	2870	3480	33	78

\* at 50 Hz

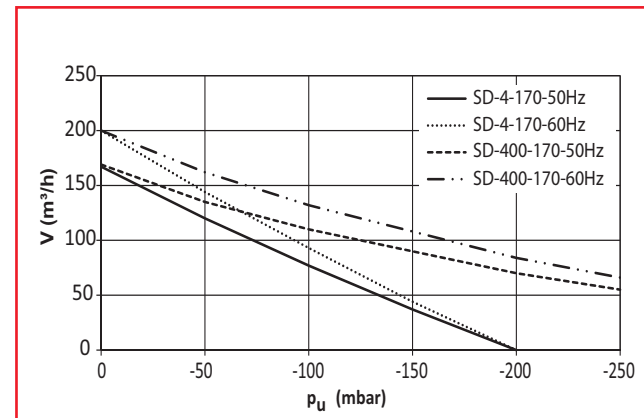
### Electrical data

Type	Power (kW)		Voltage (V)		Current consumption (A)		Safety category	Efficiency category
	50 Hz	60 Hz	50 Hz	60 Hz	50 Hz	60 Hz		
SD-4-170-230/400V-1,1kW	1,1	1,32	230/400	277/480	4,00/2,30	3,75/2,15	IP 54	IE2
SD-400-170-230/400V-1,5kW	1,5	1,8	230/400	277/480	5,20/3,00	5,30/3,05	IP 54	IE2
SD-6-280-230/400V-2,3kW	2,3	2,74	230/400	277/480	7,55/4,35	7,7/4,45	IP 54	IE2

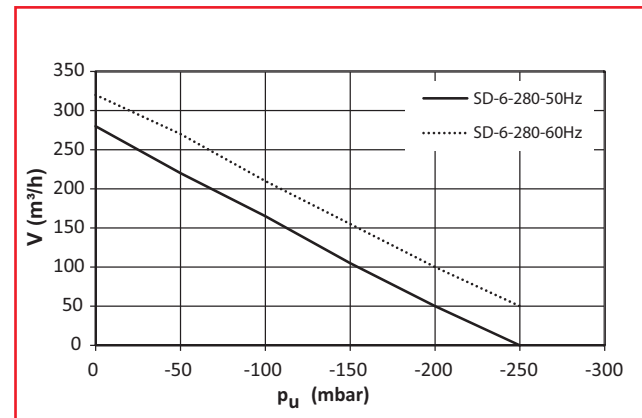
## Vacuum Blowers

with fly-wheel SD

**FEZER**  
Simply move more.



Suction capacity SD-4/400 in dependence to evacuation grade

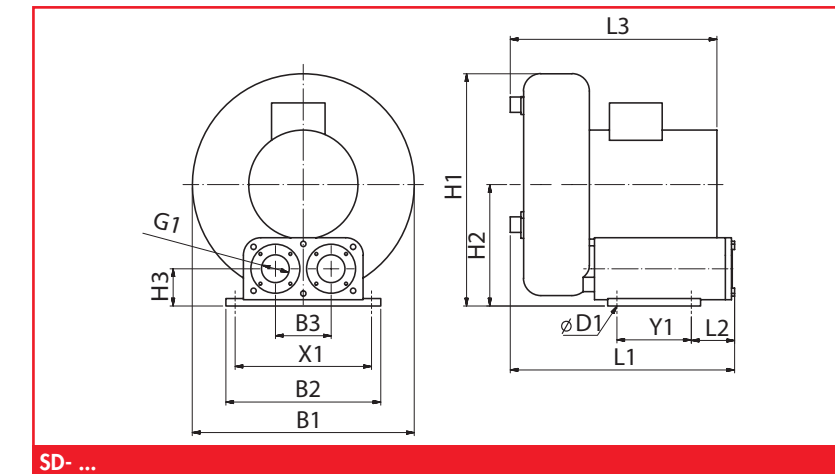


Suction capacity SD-6 in dependence to evacuation grade

## Vacuum Blowers

with fly-wheel SD

**FEZER**  
Simply move more.



SD- ...

### Dimensions

Type	L1	L2	L3	B1	B2	B3	H1	H2	H3	D1	G1	X1	Y1
SD4-170-230/400V-1,1kW	358	66	332	358	220	90	375	196	60	11	G11/2	220	120
SD-400-170-230/400V-1,5kW	358	66	332	358	220	90	375	196	60	11	G11/2	220	120
SD-6-280-230/400V-2,3kW	435	72	383	396	350	125	423	225	80	13	G2	310	160