

Vacuum Pumps

Vacuum energy unit with oilless pump VEE ... T

FEZER
Simply move more.

Description

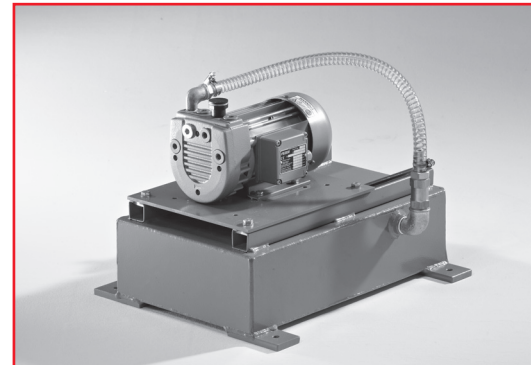
The vacuum energy unit is wired ready-for-connection and consists of a vacuum tank with mounted oilless vacuum pump with integrated filter, non-return valve, vacuum gauge and a 2/2-ways shut-off cock.

Options

- additional vacuum filter and water separator
- motor protection switch, vacuum-controlled motor switch
- other voltages on request

Application

- central vacuum supply for several work stations
- applications with extremely short cycle times



VEE-15L-T4.4 ... VEE-200L-T4.40

Article number

Type		Additional vacuum filter		Additional water separator		Motor protection switch*	Vacuum-controlled motor switch**
VEE-15L-T4.8	1.42.2.0017	VF-3/4	1.53.2.0006	WA-3/4	1.53.4.0002	6.35.7.0004	6.35.4.0263
VEE-15L-T4.16	1.42.2.0013	VF-3/4	1.53.2.0006	WA-3/4	1.53.4.0002	6.35.7.0000	6.35.4.0264
VEE-50L-T4.8	1.42.2.0035	VF-1	1.53.2.0014	WA-1	1.53.4.0006	6.35.7.0004	6.35.4.0263
VEE-50L-T4.16	1.42.2.0027	VF-1	1.53.2.0014	WA-1	1.53.4.0006	6.35.7.0000	6.35.4.0264
VEE-50L-T4.25	1.42.2.0029	VF-1	1.53.2.0014	WA-1	1.53.4.0006	6.35.7.0000	6.35.4.0265
VEE-100L-T4.16	1.42.2.0002	VF-11/4A	1.53.2.0003	WA-11/4	1.53.4.0004	6.35.7.0000	6.35.4.0264
VEE-100L-T4.25	1.42.2.0004	VF-11/4A	1.53.2.0003	WA-11/4	1.53.4.0004	6.35.7.0000	6.35.4.0265
VEE-100L-T4.40	1.42.2.0005	VF-11/4A	1.53.2.0003	WA-11/4	1.53.4.0004	6.35.7.0002	6.35.4.0266
VEE-200L-T4.25	1.42.2.0021	VF-11/4B	1.53.2.0004	WA-11/2	1.53.4.0005	6.35.7.0000	6.35.4.0265
VEE-200L-T4.40	1.42.2.0022	VF-11/4B	1.53.2.0004	WA-11/2	1.53.4.0005	6.35.7.0002	6.35.4.0266

* motor protection switch with housing for 400V, 50Hz

** vacuum generator is switched on and off depending on vacuum level (energy saving module).

Vacuum Pumps

Vacuum energy unit with oilless pump VEE ... T

FEZER
Simply move more.

Technical data

Type	Vacuum (mbar)	Volumen (l)	Suction volume (m³/h)		Suction volume (l/s)		Rotation speed (1/min)		Weight (kg)	Noise level dB (A)*
			50 Hz	60 Hz	50 Hz	60 Hz	50 Hz	60 Hz		
VEE-15L-T4.8	-850	15	8,0	9,1	2,22	2,53	2800	3150	30	58
VEE-15L-T4.16	-850	15	16	19	4,45	5,28	1420	1700	42	61
VEE-50L-T4.8	-850	50	8,0	9,1	2,22	2,53	2800	3150	48	58
VEE-50L-T4.16	-850	50	16	19	4,45	5,28	1420	1700	60	61
VEE-50L-T4.25	-850	50	25	30	6,95	8,34	1420	1700	64	62
VEE-100L-T4.16	-850	100	16	19	4,45	5,28	1420	1700	75	61
VEE-100L-T4.25	-850	100	25	30	6,95	8,34	1420	1700	80	62
VEE-100L-T4.40	-850	100	40	48	11,1	13,3	1420	1700	93	67
VEE-200L-T4.25	-850	200	25	30	6,95	8,34	1420	1700	122	62
VEE-200L-T4.40	-850	200	40	48	11,1	13,3	1420	1700	135	67

* Angaben at 50 Hz

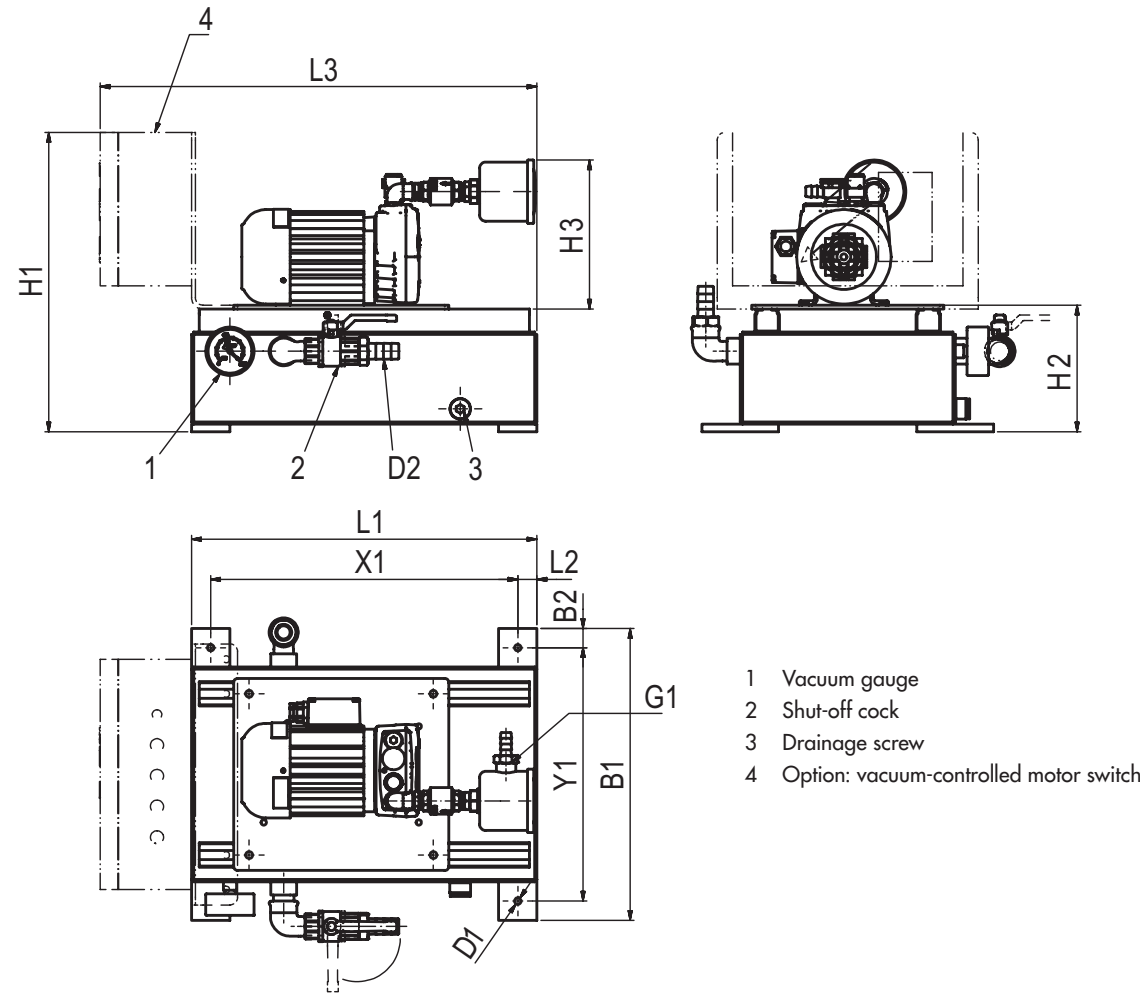
Electrical data

Type	Power (kW)		Voltage (V)		Current consumption (A)		Safety category	Efficiency category
	50 Hz	60 Hz	50 Hz	60 Hz	50 Hz	60 Hz		
VEE-15L-T4.8	0,37	0,44	175-260/300-450	202-300/350-520	2,35/1,35	2,4/1,4	IP54	IE1
VEE-15L-T4.16	0,55	0,70	175-260/300-450	202-300/350-520	3,8/2,25	3,9/2,25	IP54	IE1
VEE-50L-T4.8	0,37	0,44	175-260/300-450	202-300/350-520	2,35/1,35	2,4/1,4	IP54	IE1
VEE-50L-T4.16	0,55	0,70	175-260/300-450	202-300/350-520	3,8/2,25	3,9/2,25	IP54	IE1
VEE-50L-T4.25	0,75	0,90	190-255/330-440	190-290/330-500	6,0/3,5	6,0/3,5	IP54	IE1
VEE-100L-T4.16	0,55	0,70	175-260/300-450	202-300/350-520	3,8/2,25	3,9/2,25	IP54	IE1
VEE-100L-T4.25	0,75	0,90	190-255/330-440	190-290/330-500	6,0/3,5	6,0/3,5	IP54	IE1
VEE-100L-T4.40	1,25	1,50	190-255/330-440	190-290/330-500	6,9/4,0	6,9/4,0	IP54	IE1
VEE-200L-T4.25	0,75	0,90	190-255/330-440	190-290/330-500	6,0/3,5	6,0/3,5	IP54	IE1
VEE-200L-T4.40	1,25	1,50	190-255/330-440	190-290/330-500	6,9/4,0	6,9/4,0	IP54	IE1

Vacuum Pumps

Vacuum energy unit with oilless pump VEE ... T

FEZER
Simply move more.



VEE-15L-T4.4 ... VEE-200L-T4.40

Vacuum Pumps

Vacuum energy unit with oilless pump VEE ... T

FEZER
Simply move more.

Dimensions

Type	L1	L2	L3	B1	B2	H1	H2	H3	D1	D2	X1	Y1
VEE-15L-T4.8	450	25	570	380	25	360	158	170	8,5	3/4"	400	330
VEE-15L-T4.16	450	25	570	380	25	360	158	215	8,5	3/4"	400	330
VEE-50L-T4.8	700	25	820	500	25	420	220	170	8,5	1"	650	450
VEE-50L-T4.16	700	25	820	500	25	420	220	215	8,5	1"	650	450
VEE-50L-T4.25	700	25	820	500	25	420	220	290	8,5	1"	650	450
VEE-100L-T4.16	700	25	820	600	25	520	320	215	8,5	38	650	550
VEE-100L-T4.25	700	25	820	600	25	520	320	290	8,5	38	650	550
VEE-100L-T4.40	700	25	820	600	25	520	320	290	8,5	38	650	550
VEE-200L-T4.25	1000	25	1120	800	25	540	338	290	11	38	950	750
VEE-200L-T4.40	1000	25	1120	800	25	540	338	290	11	38	950	750