

## Ejectors

### Basic ejector unit VIP-8-SP

#### Description

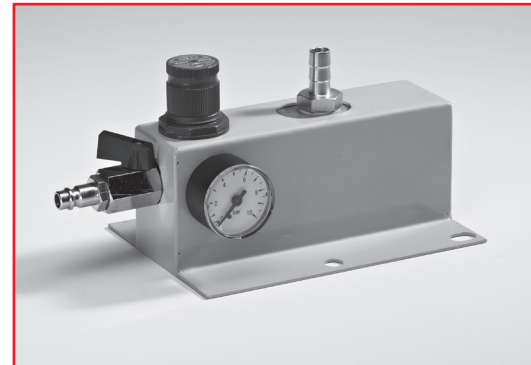
Basic unit consisting of basic ejector, pressure reducer to adjust the operating pressure, vacuum gauge and shut-off cock. The unit comes in a sheet metal housing and is sound-reduced.

#### Application

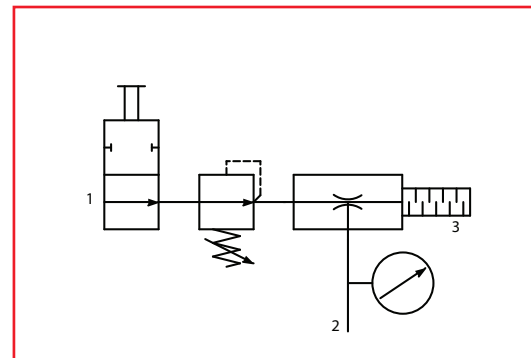
- supply of single suction pads
- any mounting position

#### Article number

| Type     | Article number |
|----------|----------------|
| VIP-8-SP | 1.44.1.0036    |



VIP-8-SP



Schaltbild FIM

- 1 Compressed air connection
- 2 Vacuum connection
- 3 Exhaust

**FEZER**  
Simply move more.

## Ejectors

### Basic ejector unit VIP-8-SP

#### Technical data

| Type     | Vacuum*<br>(mbar) | Suction volume* |       | Air consumption* |       | Pressure** (bar) |      | Noise level*<br>dB (A) | Temperature<br>(°C) | Weight<br>(kg) |
|----------|-------------------|-----------------|-------|------------------|-------|------------------|------|------------------------|---------------------|----------------|
|          |                   | (m³/h)          | (l/s) | (m³/h)           | (l/s) | max.             | opt. |                        |                     |                |
| VIP-8-SP | -850              | 4,8             | 1,35  | 7,6              | 2,1   | 1 ... 7          | 4    | 63                     | 0 ... +60           | 1,1            |

\* at optimum pressure,

\*\* dry, filtered, oil-free compressed air

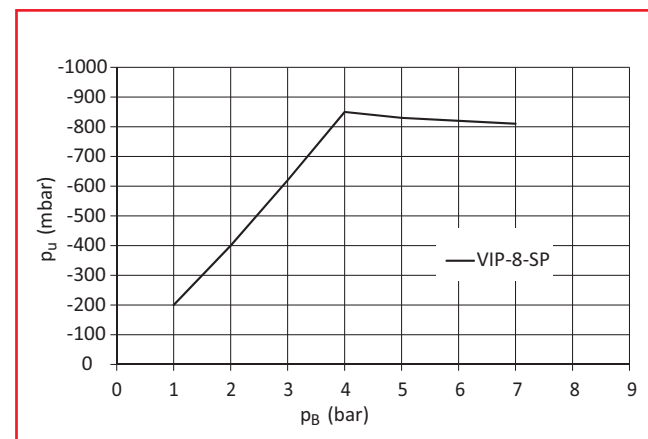
#### Evacuation and ventilation time (s) for 1l volume

| Type     | Vacuum level(mbar) |      |      |      |      |      |      |      | Ventilation time at<br>max. vacuum level |
|----------|--------------------|------|------|------|------|------|------|------|--|
|          | -100               | -200 | -300 | -400 | -500 | -600 | -700 | -800 |  |
| VIP-8-SP | 0,4                | 0,6  | 0,8  | 1,2  | 1,6  | 2,2  | 3,5  | 9,2  | 1,3                                      |

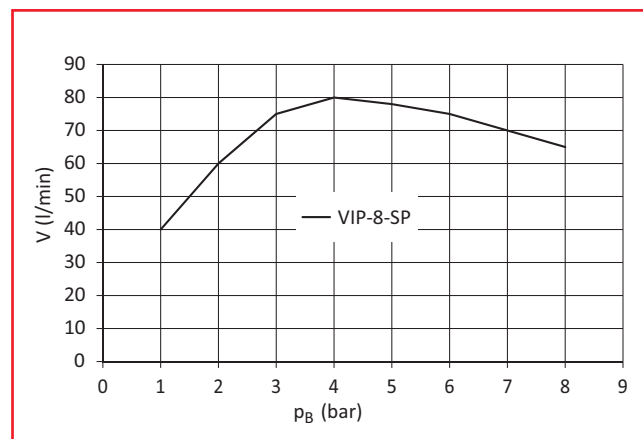
**FEZER**  
Simply move more.

# Ejectors

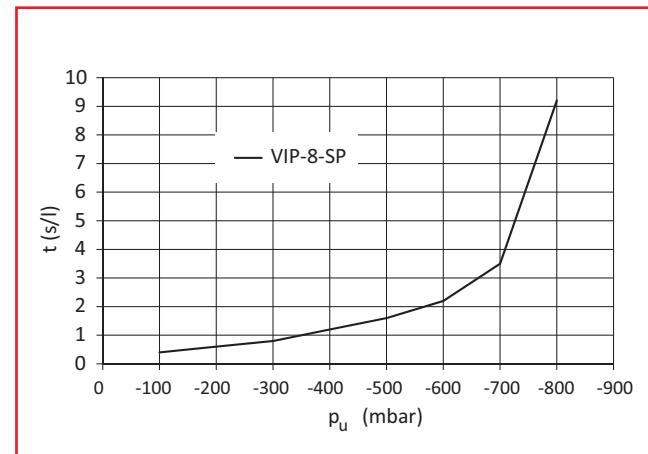
## Grandejektoreinheit VIP-8-SP



Vacuum level VIP-8-SP at different pressures



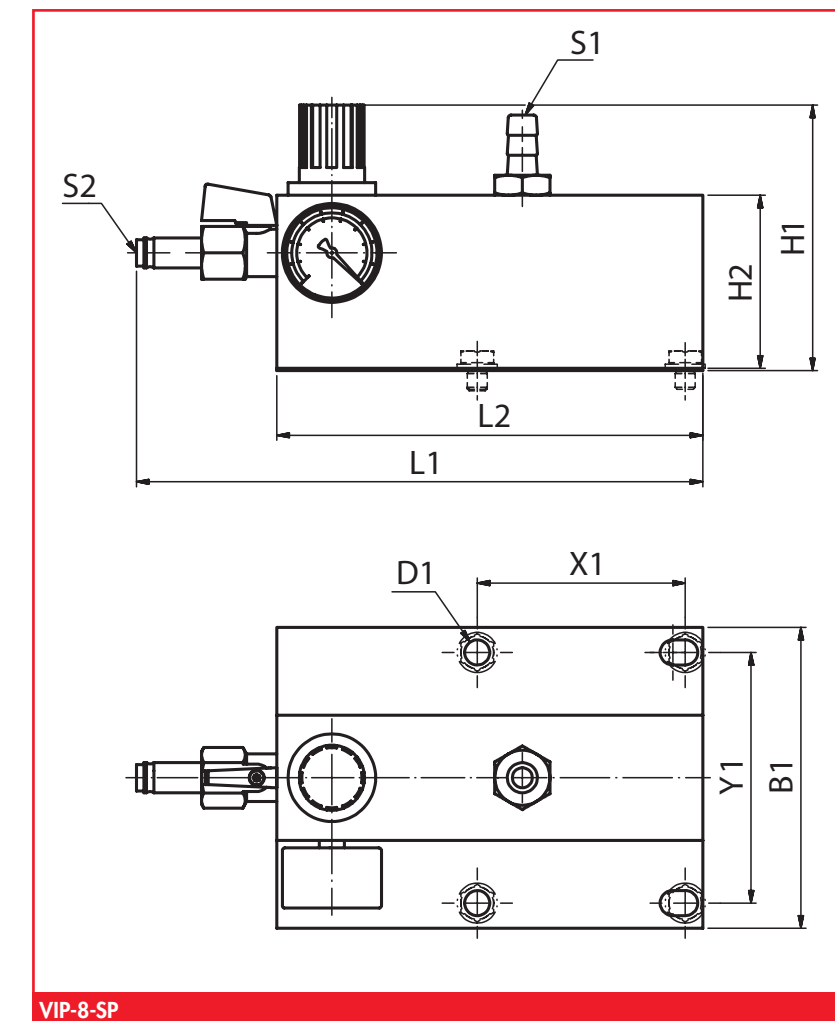
Suction volume VIP-8-SP at different pressures



Evacuation time VIP-8-SP at different grades of evacuation

# Ejectors

## Basic ejector unit VIP-8-SP



VIP-8-SP

### Technical data

| Type     | L1  | L2  | B1  | H1  | H2 | D1 | S1 | S2 | X1 | Y1  |
|----------|-----|-----|-----|-----|----|----|----|----|----|-----|
| VIP-8-SP | 226 | 170 | 120 | 106 | 70 | 10 | 10 | 10 | 83 | 100 |