

Ejectors

Multi-stage ejector with air saving automatic FEMR

FEZER
Simply move more.

Description

Robust and powerful multi-stage ejector in modular design. Depending on the power requirements this ejector can be upgraded with up to 6 three-stage nozzles. The modular design allows to configure the ejector at any time and adjust it to altered requirements. By the integrated air saving automatic the ejector regulates automatically the creation of the vacuum which decreases the compressed air consumption considerably. The ejector consists of a low-weight plastic housing and is supplied with a silencer.

Application

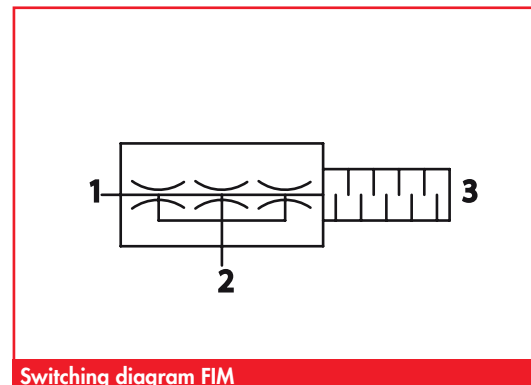
- evacuation of large volumes
- handling of porous materials
- any mounting position

Article number

Type	Silencer	
FEMR-6	1.44.2.0019	2.44.2.0003
FEMR-12	1.44.2.0020	2.44.2.0003
FEMR-18	1.44.2.0021	2.44.2.0003
FEMR-24	1.44.2.0022	2.44.2.0003



FEMR-6 ... FEMR-36



Switching diagram FIM

- 1 Compressed air connection
- 2 Vacuum connection
- 3 Exhaust

Ejectors

Multi-stage ejector with air saving automatic FEMR

FEZER
Simply move more.

Technical data

Type	Vacuum* (mbar)	Suction volume*		Air consumption*		Pressure** (bar)		Noise level* dB (A)	Temperature (°C)	Weight (kg)
		(m³/h)	(l/s)	(m³/h)	(l/s)	max.	opt.			
FEMR-6	-750	21,6	6	0,49	1,75	7	6	60 ... 77	-10 ... 60	0,67
FEMR-12	-750	43,2	12	0,97	3,50	7	6	60 ... 77	-10 ... 60	0,72
FEMR-18	-750	64,8	18	1,46	5,25	7	6	60 ... 77	-10 ... 60	0,89
FEMR-24	-750	86,4	24	1,94	7,00	7	6	60 ... 77	-10 ... 60	0,94

* at optimum pressure,

** dry, filtered, oil-free compressed air

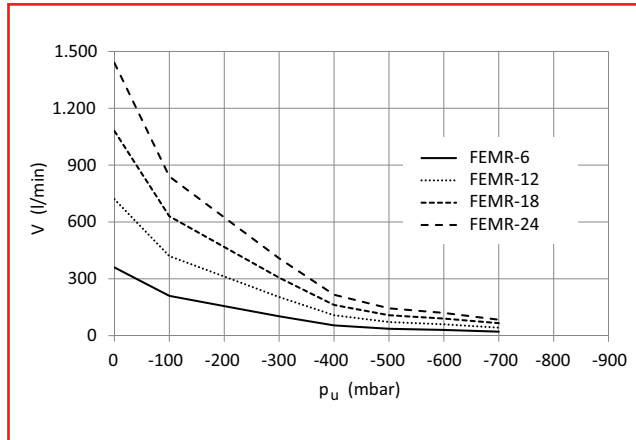
Evacuation and ventilation time (s) for 1l volume

Type	Vacuum level (mbar)								Ventilation time at max. vacuum level
	-100	-200	-300	-400	-500	-600	-700	-800	
FEMR-6	0,02	0,05	0,10	0,20	0,30	0,50	0,80	---	0,48
FEMR-12	0,01	0,03	0,05	0,09	0,20	0,30	0,40	---	0,25
FEMR-18	0,07	0,02	0,03	0,06	0,10	0,20	0,30	---	0,18
FEMR-24	0,01	0,01	0,02	0,04	0,08	0,10	0,20	---	0,10

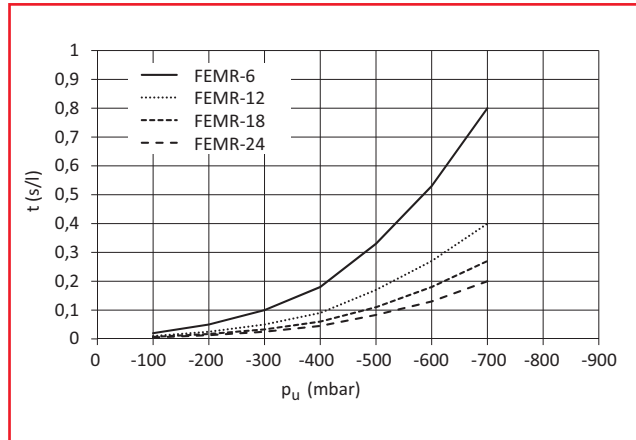
Ejectors

Multi-stage ejector with air saving automatic FEMR

FEZER
Simply move more.



Suction capacity FEMR- at different grades of evacuation

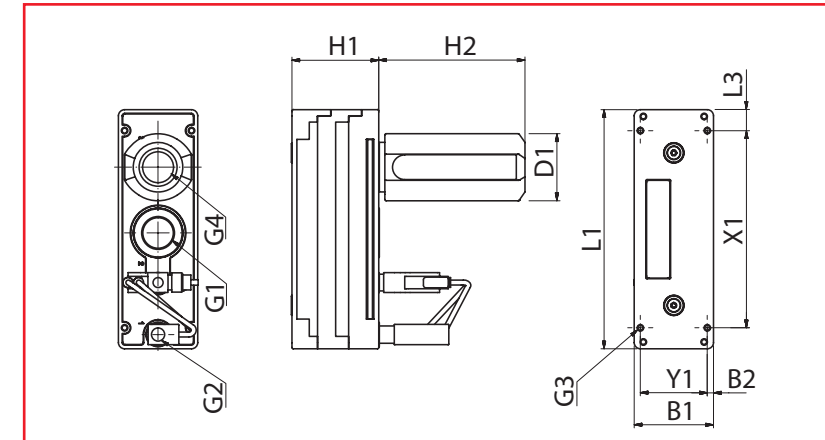


Evacuation time FEMR- at different grades of evacuation

Ejectors

Multi-stage ejector with air saving automatic FEMR

FEZER
Simply move more.



FEMR-6 ... FEMR-36

Dimensions

Type	L1	L2	B1	B2	H1	H2	X1	Y1	G1	G2	G3	G4
FEM-6	198	17	64	5	46	118	159	49	G1/8	G3/4	4	G1
FEM-12	198	17	64	5	46	118	159	49	G1/8	G3/4	4	G1
FEM-18	198	17	64	5	70	118	159	49	G1/8	G3/4	4	G1
FEM-24	198	17	64	5	70	118	159	49	G1/8	G3/4	4	G1