

Separation suction plate

FSRLB 120 - FSRLB 290 with convex insert

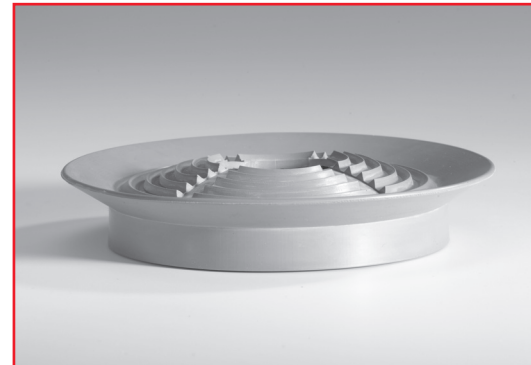
FEZER
Simply move more.

Description

Very robust and resistant flat suction pad with aluminum body, grooved pad and a centered convex insert. This convex insert supports the separation of stacked plates. The gasket and the insert are clipped on and can be easily exchanged when worn out. The suction plates are available with central (Z) or lateral (S) vacuum feed.

Application

- separation and destacking of plates
- automated and robot technology



FSRLB 120-Z ... FSRLB 290-Z

Article numbers

Type	Suction plate		Replacement gasket		Connection screw	
	NBR-G	SI-T	NBR-G	SI-T	Type	Art.-Nr:
FSRLB 120 Z	1.11.1.0296	1.11.1.0368	2.11.2.0089	2.11.2.0102	ASB-M16-20	1.31.2.0084
FSRLB 120 S	1.11.1.0297	1.11.1.0369	2.11.2.0114	2.11.2.0126	AS-M16-22	1.31.2.0035
FSRLB 170 Z	1.11.1.0370	1.11.1.0371	2.11.2.0090	2.11.2.0119	ASB-M16-20	1.31.2.0084
FSRLB 170 S	1.11.1.0373	1.11.1.0372	2.11.2.0127	2.11.2.0128	AS-M16-22	1.31.2.0035
FSRLB 230 Z	1.11.1.0374	1.11.1.0375	2.11.2.0091	2.11.2.0120	ASB-M16-20	1.31.2.0084
FSRLB 230 S	1.11.1.0376	1.11.1.0377	2.11.2.0130	2.11.2.0131	AS-M16-22	1.31.2.0035
FSRLB 290 Z	1.11.1.0378	1.11.1.0379	2.11.2.0094	2.11.2.0121	ASB-M16-20	1.31.2.0084
FSRLB 290 S	1.11.1.0380	1.11.1.0381	2.11.2.0132	2.11.2.0133	AS-M16-22	1.31.2.0035

Technical details

Type	Holding force* (N)	Volume** (l)	Weight (kg)
FSRLB 120 Z / S	550	0,06	0,35
FSRLB 170 Z / S	1.150	0,12	0,60
FSRLB 230 Z / S	2.100	0,20	1,12
FSRLB 290 Z / S	3.600	0,78	2,34

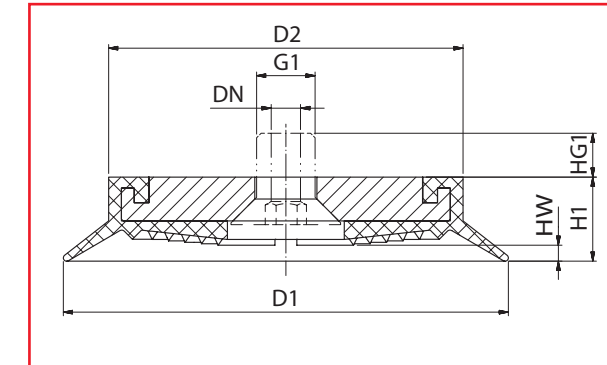
* Specifications at 60 % vacuum w/o safety factor, on smooth, dry surfaces

** Volume with suction pad not engaged and unloaded

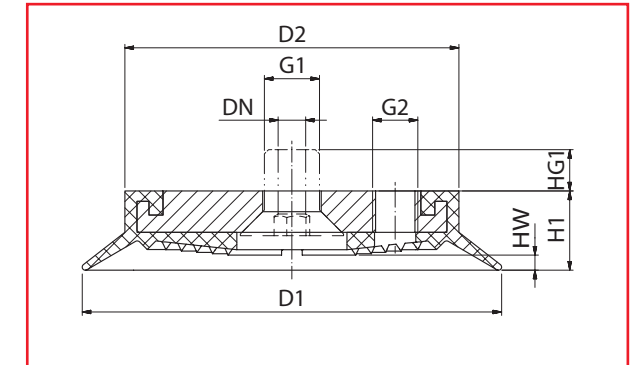
Separation suction plate

FSRLB 120 - FSRLB 290 with convex insert

FEZER
Simply move more.



FSRLB 120-Z ... FSRLB 290-Z



FSRLB 120-S ... FSRLB 290-S

Dimensions

Type	D1	D2	DN	HW	H1	HG1	G1	G2
FSRLB 120 Z	120	97	8	4,5	23	7	M16	---
FSRLB 120 S	120	97	---	4,5	23	7	---	G1/4
FSRLB 170 Z	170	147	8	4	23	7	M16	---
FSRLB 170 S	170	147	---	4	23	7	---	G1/4
FSRLB 230 Z	230	197	8	4	23	7	M16	---
FSRLB 230 S	230	197	---	4	23	7	---	G1/2
FSRLB 290 Z	290	267	8	4	23	7	M16	---
FSRLB 290 S	290	267	---	4	23	7	---	G1/2

Suitable connection elements

Type	Suction pad retainer		Suspension bolt
	SAS	SAK	
FSRLB 120 ... FSRLB 170	SAS-M16x1,5-M16	SAK-M16x1,5-M16	FS ...-M16x1,5
FSRLB 230 ... FSRLB 290	SAS-M20x1,5-M16	SAK-M20x1,5-M16	FS ...-M20x1,5