

Structure suction plate, oval

FSM 80x460 - FSM 250x460 with joint

Description

Flat suction pad with aluminum body and joint retainer in oval design with clipped in sponge rubber sealing an grooved pad. The joint retainer allows an excellent adjustment to the bending of long workpieces. The suction pad has a very soft sealing and is equipped with a lateral vacuum connection. When worn off the sealing can be easily exchanged.

Application

- narrow and very long workpieces with very rough of structured surface like wooden planks, gluelam beams etc.
- structures up to 2 mm height possible
- increased contact pressure required for suction



FSM 80x460 ... FSM 250x460

Article numbers

Type	Suction plate M-G	Gasket M-G	Replacement pad NBR-G
FSM-G 80x460	1.13.2.0054	2.13.2.0160	2.13.2.0165
FSM-G 100x460	1.13.2.0055	2.13.2.0037	2.13.2.0166
FSM-G 120x460	1.13.2.0056	2.13.2.0038	2.13.2.0168
FSM-G 170x460	1.13.2.0057	2.13.2.0040	2.13.2.0169
FSM-G 250x460	1.13.2.0058	2.13.2.0041	2.13.2.0170

Technical details

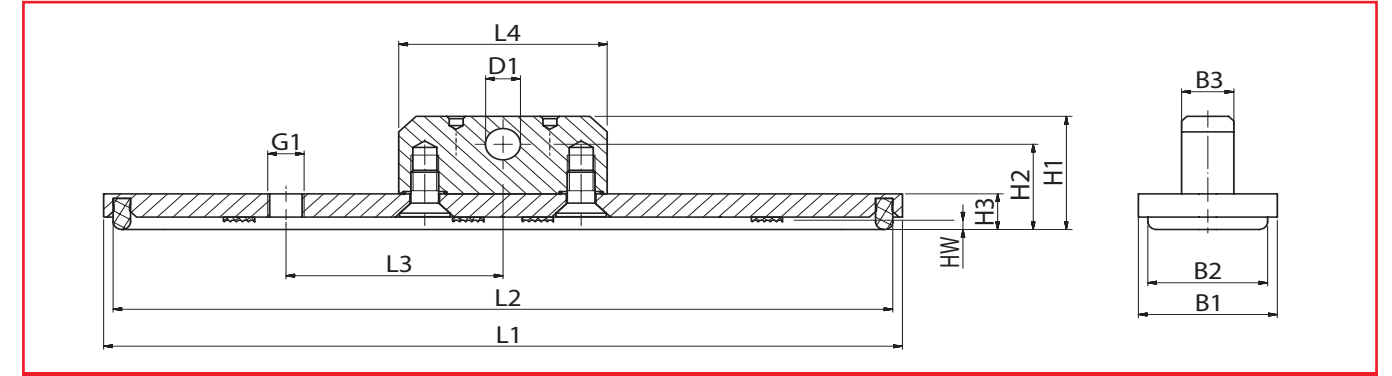
Type	Holding force* (N)	Volume** (l)	Weight (kg)
FSM-G 80x460	1130	0,20	1,87
FSM-G 100x460	1720	0,39	2,22
FSM-G 120x460	2200	0,58	2,55
FSM-G 170x460	3400	0,88	3,40
FSM-G 250x460	5420	1,25	4,75

* Specifications at 60 % vacuum w/o safety factor, on smooth, dry surfaces

** Volume with suction pad not engaged and unloaded

Structure suction plate, oval

FSM 80x460 - FSM 250x460 with joint



FSM 80x460 ... FSM 250x460

Dimensions

Type	L1	L2	L3	L4	B1	B2	B3	HW	H1	H2	H3	D1	G1
FSM-G 80x460	460	450	125	120	80	70	30	6	73	55	22	20	G1/2
FSM-G 100x460	460	450	125	120	100	90	30	6	73	55	22	20	G1/2
FSM-G 120x460	460	450	125	120	120	110	30	6	73	55	22	20	G1/2
FSM-G 170x460	460	450	125	120	170	160	30	6	73	55	22	20	G1/2
FSM-G 250x460	460	450	125	120	250	240	30	6	73	55	22	20	G1/2