

## Structure suction plate, round

FSD 85 - FSD 260

**FEZER**  
Simply move more.

### Description

Flat suction plate with aluminum body in round design with vulcanized sealing and tapered pad. The suction pad has a very soft sealing and is available with central (Z) or lateral (S) vacuum feed. Please order connection screw separately.

### Application

- workpieces with very rough or structured surface like chequered or studded sheets
- structures up to 5 mm height possible
- increased contact pressure required for suction



FSD 85-Z ... FSD 260-S

### Article numbers

Type	Suction plate		Connection screw	
	NRS-G	SI-T	Type	Art.-Nr.
FSD 85 Z	1.11.1.0078	1.11.1.0079	ASB-M12-17	1.31.2.0003
FSD 85 S	1.11.1.0076	1.11.1.0077	AS-M12-17	1.31.2.0010
FSD 140 Z	1.11.1.0066	1.11.1.0067	ASB-M12-17	1.31.2.0003
FSD 140 S	1.11.1.0064	1.11.1.0065	AS-M12-17	1.31.2.0010
FSD 200 Z	1.11.1.0070	1.11.1.0071	ASB-M16-25	1.31.2.0007
FSD 200 S	1.11.1.0068	1.11.1.0069	AS-M16-25	1.31.2.0014
FSD 230 Z	1.11.1.0133	1.11.1.0138	ASB-M16-25	1.31.2.0007
FSD 230 S	1.11.1.0139	1.11.1.0140	AS-M16-25	1.31.2.0014
FSD 260 Z	1.11.1.0074	1.11.1.0075	ASB-M16-25	1.31.2.0007
FSD 260 S	1.11.1.0072	1.11.1.0073	AS-M16-25	1.31.2.0014

### Technical details

Type	Holding force* (N)	Volume** (l)	Weight (kg)
DP-FSD 85 Z/S	300	0,07	0,13
DP-FSD 140 Z/S	760	0,13	0,40
DP-FSD 200 Z/S	1.580	0,24	1,20
DP-FSD 230 Z/S	2.050	0,58	1,28
DP-FSD 260 Z/S	2.600	0,95	1,40

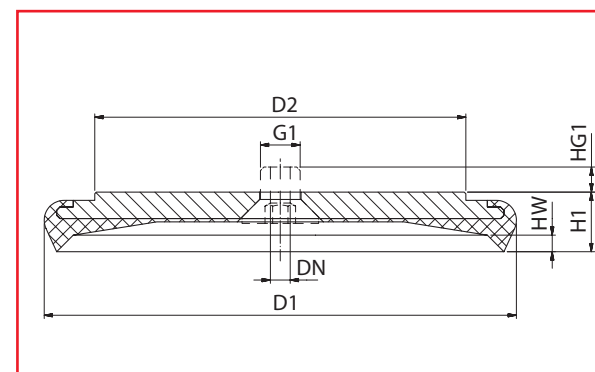
\* Specifications at 60 % vacuum w/o safety factor, on smooth, dry surfaces

\*\* Volume with suction pad not engaged and unloaded

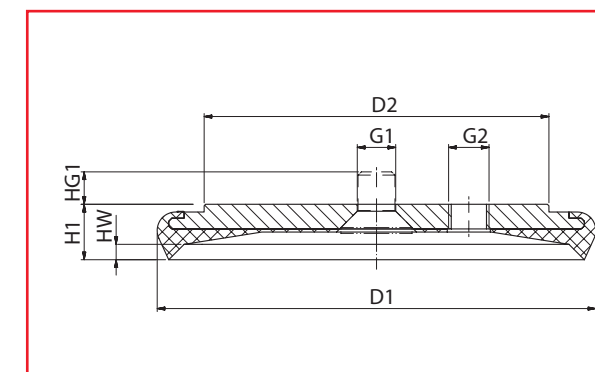
## Structure suction plate, round

FSD 85 - FSD 260

**FEZER**  
Simply move more.



FSD 85-Z ... FSD 260-Z



FSD 85-S ... FSD 260-S

### Dimensions

Type	D1	D2	DN	HW	H1	HG1	G1	G2
FSD 85 Z	85	66	8	5	20	10	M16	---
FSD 85 S	85	66	---	5	20	---	---	G1/4
FSD 140 Z	140	112	8	5	20	10	M16	---
FSD 140 S	140	112	---	5	20	---	---	G1/4
FSD 200 Z	200	75	8	5	25	10	M16	---
FSD 200 S	200	75	---	5	25	---	---	G3/8
FSD 230 Z	230	75	8	5	25	10	M16	---
FSD 230 S	230	75	---	5	25	---	---	G3/8
FSD 260 Z	260	75	8	5	25	10	M16	---
FSD 260 S	260	75	---	5	25	---	---	G1/2

### Suitable connection elements

Type	Suction pad retainer		Holders			Suspension bolt
	SAS	SAK	Holding bracket	Bushing	Holding joint	
FSD 85 ... FSD 140	SAS-M16x1,5-M16	SAK-M16x1,5-M16	HSW-M16x1,5-M16	HSB-M16-1/4	---	FS ... -M16x1,5
FSD 200 ... FSD 260	SAS-M20x1,5-M16	SAK-M20x1,5-M16	HSW-M20x1,5-M16	HSB-M20-M16	---	FS ... -M20x1,5