

Soft suction cup

GP 20 - GP 140

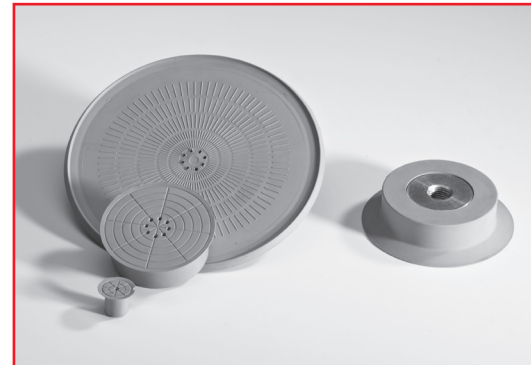
FEZER
Simply move more.

Description

Robust and resistant flat suction cup with specially plane pad. With the few vacuum distribution grooves the pad has almost a completely plane area which does not pass on any deformation force to the workpiece. The suction cups are screwed on, the sealing can be easily exchanged when worn out (save for FS-GP 140 with vulcanized body)

Application

- workpieces with very sensitive surfaces
- extremely thin-walled workpieces like solar cells, silicium discs, semiconductors etc.



FS-GP 20 ... FS-GP 140

Article numbers

Type	NK-R	Connection nipple	
		Type	Art.-Nr:
FS-GP 20	1.01.2.0083	ANM-8-1/8	1.31.1.0032
FS-GP 40	1.01.2.0024	ANM-13-1/4	1.31.1.0033
FS-GP 60	1.01.2.0084	---	---
FS-GP 80	1.01.2.0085	---	---
FS-GP 140	1.01.2.0023	---	---

Technical details

Type	Holding force* (N)	Volume** (l)	Weight (kg)
FS-GP 20	11	0,002	0,008
FS-GP 40	45	0,003	0,010
FS-GP 60	100	0,004	0,060
FS-GP 80	195	0,008	0,080
FS-GP 140	480	0,012	0,180

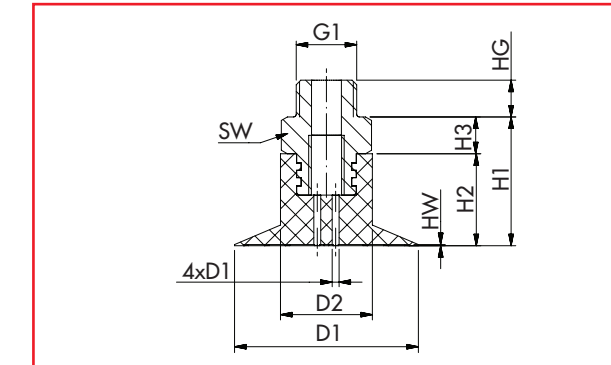
* Specifications at 60 % vacuum w/o safety factor, on smooth, dry surfaces

** Volume with suction pad not engaged and unloaded

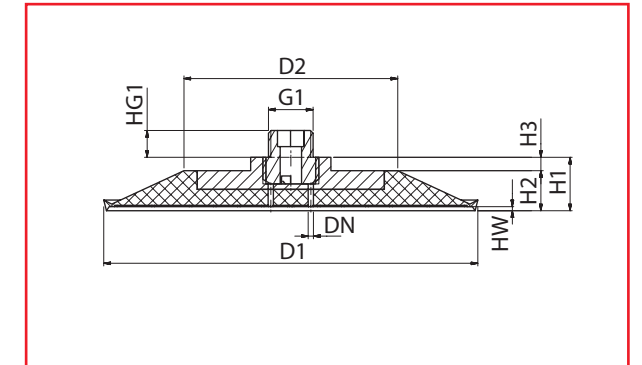
Soft suction cup

GP 20 - GP 140

FEZER
Simply move more.



FS-GP 20 ... FS-GP 40



FS-GP 60 ... FS-GP 140

Dimensions

Type	D1	D2	DN	HW	H1	H2	H3	HG1	G1	SW
FS-GP 20	20	12	1,5	0,25	29	15	7	7	G1/8	14
FS-GP 40	40	20	1,5	0,25	36	20	8	8	G1/4	17
FS-GP 60	60	50	1,5	0,25	30	20	10	10	G1/4	---
FS-GP 80	80	60	1,5	0,25	30	20	10	10	G1/4	---
FS-GP 140	140	80	1,5	1,5	20	15	5	10	G3/8	---

Suitable connection elements

Type	Suction pad retainer		Holding bracket	Holders		Suspension bolt
	SAS	SAK		Bushing	Holding joint	
FS-GP 20	SAS-M8x1-1/8	---	HSW-M8x1-1/8	HSB-1/8-1/8	HSG-M8x1-1/8	FS ... -M8x1
FS-GP 40 ... FS-GP 80	SAS-M12x1-1/4	---	HSW-M12x1-1/4	HSB-1/4-1/4	HSG-M12x1-1/4	FS ... -M12x1
FS-GP 140	SAS-M16x1,5-3/8	---	HSW-M6x1,5-1/4	HSB-3/8-3/8	HSG-M16x1,5-3/8	FS ... -M16x1,5