

Rectangular suction plate

EP 13x43 - EP 96x96

FEZER
Simply move more.

Description

Special suction plate for very small and narrow workpieces. Can also be used as holding plates in machines. The suction plate consists of an aluminum body with vulcanized sealing with burling pad.

Application

- narrow, even workpieces
- small parts
- holding plates for machines, suction tables etc.



EP 13x43 ... EP 96x96

Article numbers

Type	NBR-S	NBR-G	SI-T
DP-EP 13x43	---	1.16.1.0010	1.16.1.0011
DP-EP 19x58	---	1.16.1.0015	1.16.1.0016
DP-EP 23x83	---	1.16.1.0023	1.16.1.0024
DP-EP 25x65	---	1.16.1.0017	1.16.1.0018
DP-EP 33x65	---	1.16.1.0019	1.16.1.0020
DP-EP 35x105	---	1.16.1.0001	1.16.1.0003
DP-EP 40x45	1.16.1.0012	---	1.16.1.0013
DP-EP 42x42	1.16.1.0008	---	1.16.1.0009
DP-EP 47x65	---	1.16.1.0021	1.16.1.0022
DP-EP 96x96	---	1.16.1.0025	1.16.1.0026

Technical details

Type	Holding force* (N)	Volume** (l)	Weight (kg)
DP-EP 13x43	21	0,006	0,02
DP-EP 19x58	36	0,003	0,06
DP-EP 23x83	36	0,006	0,10
DP-EP 25x65	45	0,005	0,06
DP-EP 33x65	72	0,009	0,07
DP-EP 35x105	141	0,014	0,14
DP-EP 40x45	73	0,006	0,06
DP-EP 42x42	73	0,006	0,08
DP-EP 47x65	123	0,011	0,11
DP-EP 96x96	440	0,050	0,41

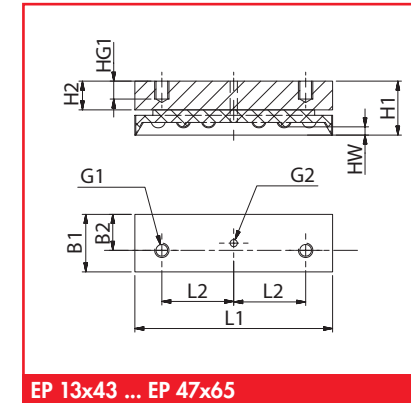
* Specifications at 60 % vacuum w/o safety factor, on smooth, dry surfaces

** Volume with suction pad not engaged and unloaded

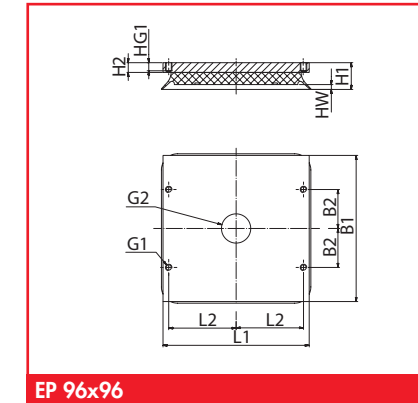
Rectangular suction plate

EP 13x43 - EP 96x96

FEZER
Simply move more.



EP 13x43 ... EP 47x65



EP 96x96

Dimensions

Type	L1	L2	B1	B2	HW	H1	H2	G1	G2
DP-EP 13x43	40	16,5	10	5	2	15	8	M4	3
DP-EP 19x58	55	20	16	18	2,5	15	8	M4	2
DP-EP 23x83	80	28	20	25	2	15	8	M4	6
DP-EP 25x65	60	20	20	10	2	13	6	M4	6
DP-EP 33x65	60	20	28	14	2,5	13	6	M4	10
DP-EP 35x105	100	30	32	16	2,5	13	6	M4	18
DP-EP 40x45	40	16,5	35	17,5	2,5	13	6	M4	10
DP-EP 42x42	42	16,5	42	21	2,5	13	6	M4	8
DP-EP 47x65	60	20	42	21	2,5	13	6	M4	18
DP-EP 96x96	92	41,5	92	24	2,5	16,5	6	M4	18