

## Grip suction plate, oval

GS 20x80 - GS 40x110 - Flat design

**FEZER**  
Simply move more.

### Description

Very robust and resistant flat suction cup in oval design with a specially structured pad and connection screw. The special pad increases the friction coefficient which allows higher cross acceleration also on oily or wet surfaces. The position of the cup can be adjusted by the connection screw.

### Application

- thin-walled workpieces with smooth, oily or wet surfaces
- exact positioning of sheets
- highly dynamic process requirements



FS-GS 20x80 ... FS-GS 40x110

### Article numbers

Type	PU
FS-GS 20x80	1.01.2.0054
FS-GS 30x90	1.01.2.0055
FS-GS 40x110	1.01.2.0056

### Technical details

Type	Holding force* (N)	Suction radius min: (mm)	Volume** (l)	Weight (kg)
FS-GS 20x80	82	20	0,015	0,025
FS-GS 30x90	115	25	0,017	0,030
FS-GS 40x110	185	42	0,034	0,055

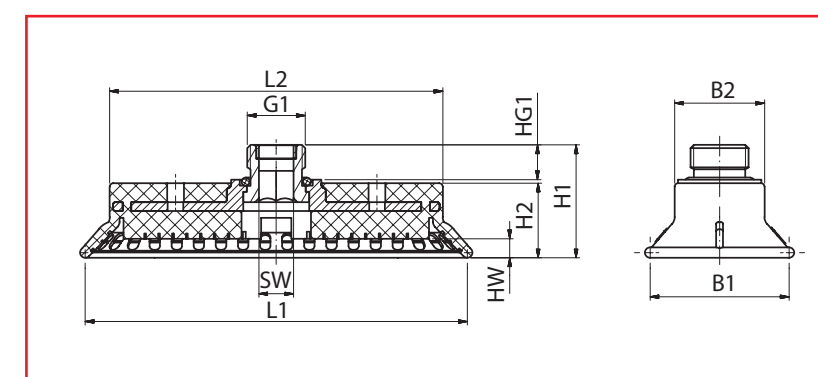
\* Specifications at 60 % vacuum w/o safety factor, on smooth, dry surfaces

\*\* Volume with suction pad not engaged and unloaded

## Grip suction plate, oval

GS 20x80 - GS 40x110 - Flat design

**FEZER**  
Simply move more.



FS-GS 20x80 ... FS-GS 40x110

### Dimensions

Type	L1	L2	B1	B2	HW	H1	H2	HG1	G1	SW
FS-GS 20x80	84	79	24	19	3	28	16	10	G3/8	5
FS-GS 30x90	92	79	33	19	4	28	16	10	G3/8	5
FS-GS 40x110	113	97	43	26	5	31	22	10	G3/8	8

### Suitable connection elements

Type	Suction pad retainer		Holding bracket	Holders		Suspension bolt
	SAS	SAK		Bushing	Holding joint	
FS-GS 20x80 ... 30x90	SAS-M12x1-3/8	---	HSW-M12x1-3/8	HSB-3/8-3/8	HSG-M12x1-3/8	FS ... -M12x1*
FS-GS 40x110	SAS-M16x1,5-3/8	---	HSW-M16x1,5-3/8	HSB-3/8-3/8	HSG-M16x1,5-3/8	FS ... -M16x1,5*

\* Single connection, mounted with rotation-protected suspension bolt