

## Bubble cap suction cup, oval

GG 40x120 - GG 80x200

# FEZER

Simply move more.

### Description

Robust and resistant flat suction pad in bubble-cap design with inner pad. The suction pad has a body made of aluminum and is connected by a screw. When worn out the pad can be easily exchanged. Please order the connection screws separately.

### Application

- workpieces with large curves and unevenness
- handling of chassis parts, also with oily surfaces



FS-GG 40x120 ... FS-GG 80x200

### Article numbers

Type	NBR-G	SI-T	Connection screw	
			Type	Art.-Nr.
FS-GG 40x120	1.111.0484	1.111.0485	ASB-M8-16	1.31.2.0068
FS-GG 60x200	1.111.0286	1.111.0488	ASB-M8-16	1.31.2.0068
FS-GG 75x135	1.111.0281	1.111.0482	ASB-M12-17	1.31.2.0003
FS-GG 80x200	1.111.0287	1.111.0489	ASB-M12-17	1.31.2.0003

### Technical details

Type	Holding force* (N)	Suction radius min: (mm)	Volume** (l)	Weight (kg)
FS-GG 40x120	126	30	0,080	0,160
FS-GG 60x200	273	35	0,180	0,280
FS-GG 75x135	230	50	0,100	0,230
FS-GG 80x200	320	60	0,240	0,450

\* Specifications at 60 % vacuum w/o safety factor, on smooth, dry surfaces

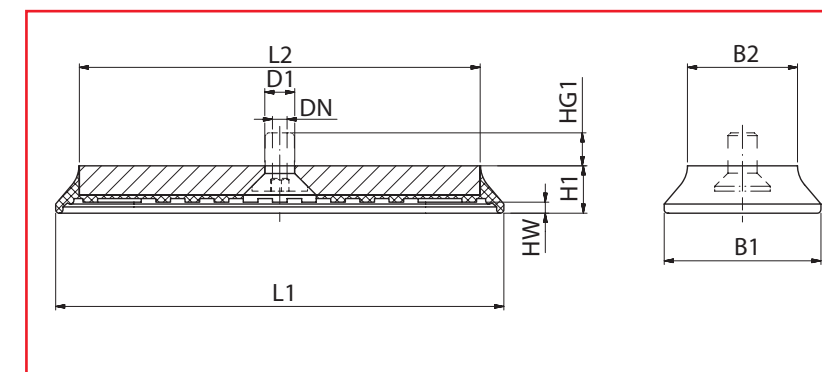
\*\* Volume with suction pad not engaged and unloaded

## Bubble cap suction cup, oval

GG 40x120 - GG 80x200

# FEZER

Simply move more.



FS-GG 40x120 ... FS-GG 80x200

### Dimensions

Type	L1	L2	L3	B1	B2	HW	H1	D1	DN	G1	HG1
FS-GG 40x120	123	110	---	40	30	4	13	8,2	4	---	10
FS-GG 60x200	205	180	70	65	40	4	18	8,2	---	G1/4	10
FS-GG 75x135	135	90	---	75	30	12	27	8,2	4	---	10
FS-GG 80x200	200	160	60	80	40	5	20	8,2	---	G1/4	10

### Suitable connection elements

Type	Suction pad retainer		Holding bracket	Holders		Suspension bolt
	SAS	SAK		Bushing	Holding joint	
FS-GG 40x120, 75x135	SAS-M12x1-M8	---	HSW-M12x1-M8	HSB-M8-1/8	HSG-M12x1	FS ... -M12x1*
FS-GG 60x200, 80x200	SAS-M16x1,5-M12	---	HSW-M16x1,5-M12	HSB-M12-1/4	HSG-M16x1,5	FS ... -M16x1,5*

\* Single connection, mounted with rotation-protected suspension bolt