

Flat suction cup, round

GR 75 - GR 115 with grooved pad

FEZER
Simply move more.

Description

Very robust and resistant suction pad with grooved pad and vulcanized connection nipple. The grooved pad guarantees a wide support of the load and higher cross acceleration.

Application

- materials with smooth and even surface
- very thin materials
- applications with high cross acceleration
- imprint-free design in viton



FS-GR 75 ... FS-GR 115

Article numbers

Type	NBR-S	NBR-G	SI-T	VI-S
FS-GR 75	1.01.2.0006	1.01.2.0005	1.01.2.0007	1.01.2.0086
FS-GR 95	1.01.2.0010	1.01.2.0008	1.01.2.0011	1.01.2.0087
FS-GR 115	1.01.2.0003	1.01.2.0002	1.01.2.0004	1.01.2.0088

Technical details

Type	Holding force* (N)	Volume** (l)	Weight (kg)
FS-GR 75	170	0,03	0,06
FS-GR 95	270	0,04	0,09
FS-GR 115	380	0,06	0,13

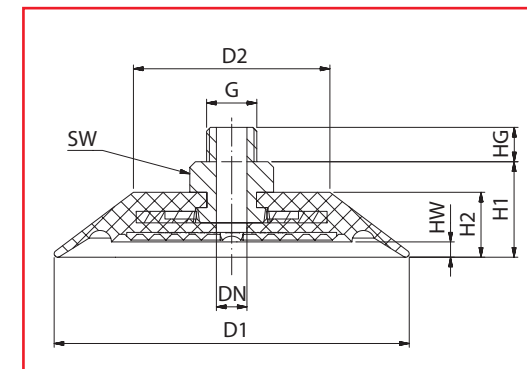
* Specifications at 60 % vacuum w/o safety factor, on smooth, dry surfaces

** Volume with suction pad not engaged and unloaded

Flat suction cup, round

GR 75 - GR 115 with grooved pad

FEZER
Simply move more.



FS-GR 75 ... FS-GR 115

Dimensions

Type	D1	D2	DN	HW	H1	H2	HG	G	SW
FS-GR 75	73	31,5	8	4,5	17	35	9	G1/4	19
FS-GR 95	93	51,5	8	4,5	17	35	9	G1/4	19
FS-GR 115	113	70,5	8	5	17	35	9	G1/4	19

Suitable connection elements

Type	Suction pad retainer		Holding bracket	Holders		Suspension bolt
	SAS	SAK		Bushing	Holding joint	
FS-GR 75	SAS-M12x1-1/4	---	HSW-M12x1-1/4	HSB-1/4-1/4	HSG-M12x1	FS ... -M12x1
FS-GR 95 - FS-GR 115	SAS-M16x1,5-1/4	---	HSW-M16x1,5-1/4	HSB-1/4-1/4	HSG-M16x1,5	FS ... -M16x1,5