

## Flat suction cup, round

G 5 - G 95 hard design

# FEZER

Simply move more.

### Description

Very elastic rubber cup with smooth pad and single lip. The suction pads are clipped on the connection nipples and can be easily exchanged when worn out. Please order connection nipple separately.

### Application

- workpieces with smooth and slightly rough surface
- many materials for various requirements
- low impring designs



FS-G 5...FS-G 95

### Article numbers

Type	NBR-S	SI-T	CR-GR	PU-B	VI-S	Connection nipple	
						M5-A	G1/4-A
FS-G 5	1.01.1.0116	1.01.1.0118	1.01.1.0120	1.01.1.0121	1.01.1.0122	1.31.1.0002	---
FS-G 10	1.01.1.0004	1.01.1.0007	1.01.1.0001	1.01.1.0005	1.01.1.0134	1.31.1.0002	---
FS-G 15	1.01.1.0010	1.01.1.0013	1.01.1.0008	1.01.1.0011	1.01.1.0136	1.31.1.0002	---
FS-G 20	---	---	---	1.01.1.0019	1.01.1.0138	---	1.31.1.0005
FS-G 25	1.01.1.0140	1.01.1.0142	1.01.1.0144	1.01.1.0145	1.01.1.0146	---	1.31.1.0005
FS-G 30	1.01.1.0148	1.01.1.0149	1.01.1.0150	1.01.1.0046	1.01.1.0151	---	1.31.1.0005
FS-G 35	1.01.1.0153	1.01.1.0155	1.01.1.0157	1.01.1.0158	1.01.1.0159	---	1.31.1.0005
FS-G 40	1.01.1.0161	1.01.1.0162	1.01.1.0163	1.01.1.0055	1.01.1.0164	---	1.31.1.0005
FS-G 50	1.01.1.0166	1.01.1.0167	1.01.1.0168	1.01.1.0063	1.01.1.0169	---	1.31.1.0004
FS-G 60	1.01.1.0171	1.01.1.0172	1.01.1.0173	1.01.1.0070	1.01.1.0174	---	1.31.1.0006
FS-G 80	1.01.1.0176	1.01.1.0178	1.01.1.0180	1.01.1.0181	1.01.1.0182	---	1.31.1.0006
FS-G 95	1.01.1.0184	1.01.1.0186	1.01.1.0188	1.01.1.0189	1.01.1.0190	---	1.31.1.0006

### Technical details

Type	Holding force* (N)	Volume** (l)	Weight (kg)
FS-G 5	0,6	0,001	0,001
FS-G 10	3,9	0,001	0,001
FS-G 15	6	0,001	0,005
FS-G 20	12,1	0,001	0,006
FS-G 25	23	0,001	0,007
FS-G 30	33	0,002	0,008
FS-G 35	46	0,004	0,010
FS-G 40	62	0,006	0,012
FS-G 50	78	0,008	0,025
FS-G 60	139	0,012	0,034
FS-G 80	275	0,025	0,048
FS-G 95	360	0,040	0,062

\* Specifications at 60 % vacuum w/o safety factor, on smooth, dry surfaces

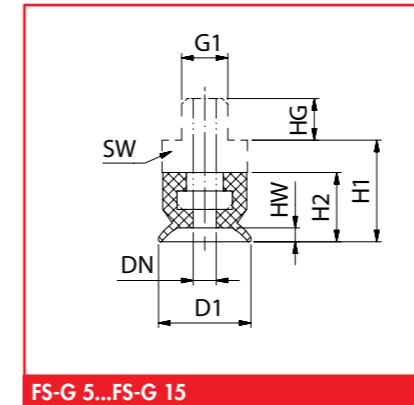
\*\* Volume with suction pad not engaged and unloaded

## Flat suction cup, round

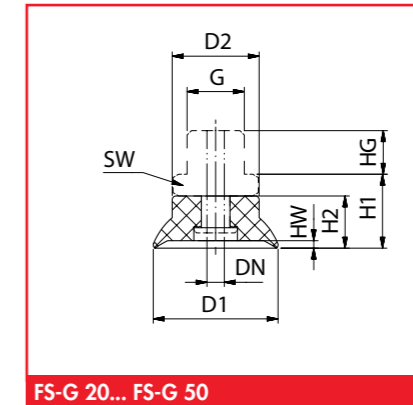
G 5 - G 95 hard design

# FEZER

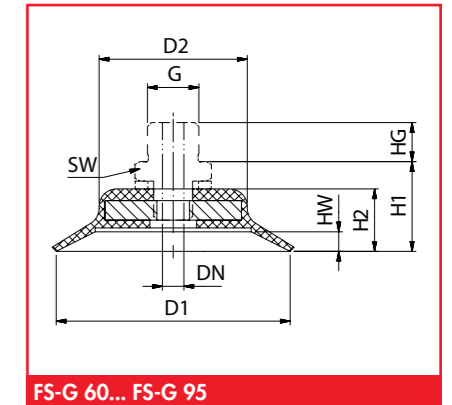
Simply move more.



FS-G 5...FS-G 15



FS-G 20... FS-G 50



FS-G 60... FS-G 95

### Dimensions

Type	D1	D2	DN	HW	H1	H2	HG	G	SW
FS-G 5	5	7,5	2,5	0,5	10	4	4,5	M5	8
FS-G 10	10	8,5	2,5	1,5	11,5	8	4,5	M5	8
FS-G 15	15	12	2,5	2	11,5	8	4,5	M5	8
FS-G 20	20	15	3	2	17,5	10	10	G1/4	17
FS-G 25	25	15	4	2	19	14	10	G1/4	17
FS-G 30	30	15	4	1,7	17	12	10	G1/4	17
FS-G 35	35	24	4	3	19	14	10	G1/4	17
FS-G 40	40	24	4	3,8	19	14	10	G1/4	17
FS-G 50	50	27	4	3,8	20	14	10	G1/4	17
FS-G 60	60	38	5,5	5	23	18	10	G1/4	17
FS-G 80	80	55	5,5	6	26	21	10	G1/4	17
FS-G 95	100	70	5,5	6	26	21	10	G1/4	17

### Suitable connection elements

Type	Suction pad retainers		Holding bracket	Holders		Suspension bolt
	SAS	SAK		Bushing	Holding joint	
FS-G 5 ... FS-G 30	SAS-M8x1-M5	---	HSW-M8x1-M5	HSB-M5-1/8	HSG-M8x1	FS ... -M8x1
FS-G 35 ... FS-G 60	SAS-M12x1-1/4	---	HSW-M12x1-1/4	HSB-1/4-1/4	HSG-M12x1	FS ... -M12x1
FS-G 80 ... FS-G 95	SAS-M16x1,5-1/4	---	HSW-M16x1,5-1/4	HSB-1/4-1/4	HSG-M16x1,5	FS ... -M16x1,5