

Flat suction plate, round

FSL 300 - FSL 630

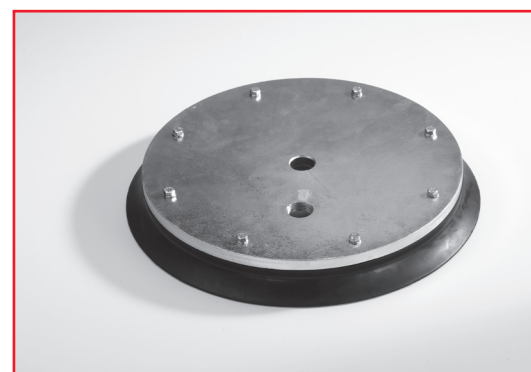
FEZER
Simply move more.

Description

Very robust and extremely resistant flat suction pad with long lip and additional inner sealings. The sealing is screwed onto the body and can be easily exchanged when worn out. The suction plates have a lateral vacuum feed.

Application

- large, heavy workpiece with scaled or slightly rough surface
- heavy-duty processes



FSL 300 ... FSL 630

Article numbers

Type	Suction pad		Replacement gasket		Connection screw	
	NBR-S	SI-T	NBR-S	SI-T	Type	Art.-Nr:
DP-FSL 300 S	1.11.1.0395	1.11.1.0396	1.13.1.0315	1.13.1.0316	AS-M24x1,5-30	1.31.2.0029
DP-FSL 360 S	1.11.1.0149	1.11.1.0150	1.13.1.0245	1.13.1.0031	AS-M24x1,5-30	1.31.2.0029
DP-FSL 400 S	1.11.1.0170	1.11.1.0171	1.13.1.0244	1.13.1.0034	AS-M24x1,5-30	1.31.2.0029
DP-FSL 450 S	1.11.1.0151	1.11.1.0152	1.13.1.0243	1.13.1.0040	AS-M24x1,5-30	1.31.2.0029
DP-FSL 540 S	1.11.1.0153	1.11.1.0154	1.13.1.0241	1.13.1.0043	AS-M24x1,5-30	1.31.2.0029
DP-FSL 630 S	1.11.1.0155	1.11.1.0156	1.13.1.0242	1.13.1.0046	on request	

Technical details

Type	Holding force* (N)	Volume** (l)	Weight (kg)
DP-FSL 300 S	2.900	1,3	7,0
DP-FSL 360 S	5.230	2,0	8,8
DP-FSL 400 S	6.140	2,3	10,1
DP-FSL 450 S	7.500	4,5	16,5
DP-FSL 540 S	12.500	6,8	27,8
DP-FSL 630 S	16.600	12,1	35,8

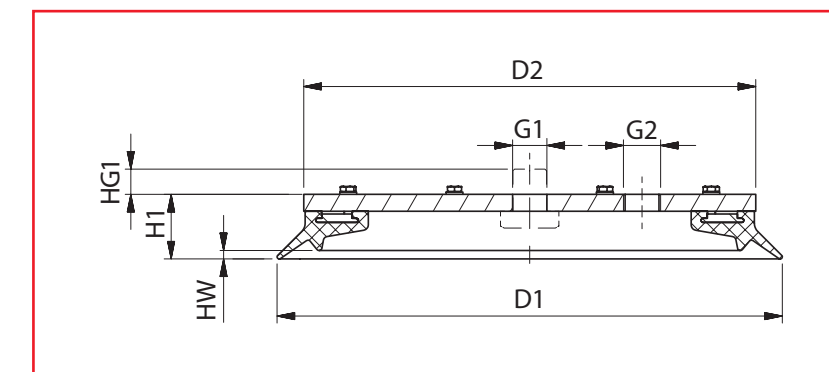
* Specifications at 60 % vacuum w/o safety factor, on smooth, dry surfaces

** Volume with suction pad not engaged and unloaded

Flat suction plate, round

FSL 300 - FSL 630

FEZER
Simply move more.



FSL 300 ... FSL 630

Dimensions

Type	D1	D2	HW	H1	HG1	G1	G2
DP-FSL 300 S	300	262	6	34	12	25	G3/4
DP-FSL 360 S	360	322	6	34	12	25	G3/4
DP-FSL 400 S	400	346	14	29	12	25	G3/4
DP-FSL 450 S	450	375	17	50	15	25	G3/4
DP-FSL 540 S	540	465	17	50	15	25	G3/4
DP-FSL 630 S	630	555	17	50	15	25	G1

Suitable connection elements

Type	Suction pad retainers		Bolt type	Clamping plates
	SAS	SAK		
FSL 300 ... FSL 400	SAS-M20x1,5-M24x1,5	SAK-M20x1,5-M20x1,5	STG-M20x1,5	KP-AL-20
FSL 450 ... FSL 540	SAS-M30x1,5-M24x1,5	SAK-M30x1,5-M24x1,5	STG-M30x1,5	KP-AL-30
FSL 630	auf Anfrage			