

Flat suction plate, oval

FSL 100x200 - FSL 350x600

FEZER
Simply move more.

Description

Robust and universal flat suction pad with aluminum body and vulcanized sealing. Connection by flat head screws which allow to easily exchange the sealing. Please order connection screw separately.

Application

- heavy, narrow workpieces
- workpieces with smooth, slightly rough surface
- heavy-duty areas



FSL 100x200 ... FSL 350x600

Article numbers

Type	NBR-G	SI-T	Connection screw	
			Type	Art.-Nr.
DP-FSL 100x200	1.11.1.0157	1.11.1.0159	AS-M12-17	1.31.2.0010
DP-FSL 100x300	1.11.1.0161	1.11.1.0162	AS-M12-17	1.31.2.0010
DP-FSL 120x300	1.11.1.0440	1.11.1.0441	AS-M12-17	1.31.2.0010
DP-FSL 130x450	1.11.1.0443	1.11.1.0444	AS-M16-22	1.31.2.0035
DP-FSL 160x450	1.11.1.0449	1.11.1.0450	AS-M16-22	1.31.2.0035
DP-FSL 180x430	1.11.1.0452	1.11.1.0453	AS-M16-22	1.31.2.0035
DP-FSL 180x500	1.11.1.0455	1.11.1.0456	AS-M16-22	1.31.2.0035
DP-FSL 180x580	1.11.1.0458	1.11.1.0459	AS-M16-22	1.31.2.0035
DP-FSL 200x750	1.11.1.0461	1.11.1.0462	AS-M16-22	1.31.2.0035
DP-FSL 350x600	1.11.1.0464	1.11.1.0465	AS-M24x1,5-28	1.31.2.0069

Technical details

Type	Holding force* (N)	Volume** (l)	Weight (kg)
DP-FSL 100x200	750	0,17	1,25
DP-FSL 100x300	1.250	0,28	1,60
DP-FSL 120x300	1.450	0,32	1,80
DP-FSL 130x450	2.450	0,40	2,80
DP-FSL 160x450	3.000	0,60	3,60
DP-FSL 180x430	3.225	1,20	3,80
DP-FSL 180x500	3.750	1,40	4,10
DP-FSL 180x580	4.350	1,65	4,90
DP-FSL 200x750	6.250	4,20	6,30
DP-FSL 350x600	7.650	6,30	10,8

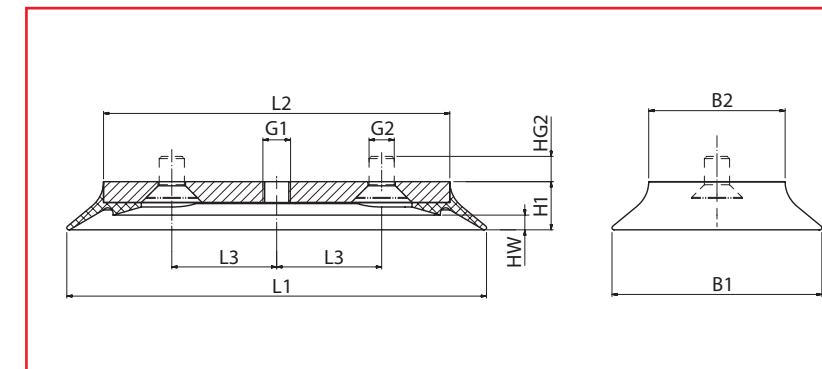
* Specifications at 60 % vacuum w/o safety factor, on smooth, dry surfaces

** Volume with suction pad not engaged and unloaded

Flat suction plate, oval

FSL 100x200 - FSL 350x600

FEZER
Simply move more.



FSL 100x200 ... FSL 350x600

Dimensions

Type	L1	L2	L3	B1	B2	HW	H1	G1	HG1	G2	HG2
DP-FSL 100x200	200	160	50	100	65	7	23	G1/4	---	12,2	10
DP-FSL 100x300	300	260	100	100	65	7	23	G1/4	---	12,2	10
DP-FSL 120x300	300	245	100	120	70	6	24	G1/4	---	12,2	10
DP-FSL 130x450	450	415	150	130	100	6	23	G1/4	---	16,2	12
DP-FSL 160x450	450	413	150	160	120	9	26	G1/2	---	16,2	12
DP-FSL 180x430	430	395	150	180	150	6	20	G1/2	---	16,2	12
DP-FSL 180x500	500	433	150	180	120	20	42	G1/2	---	16,2	12
DP-FSL 180x580	580	544	200	180	150	10	26	G3/4	---	16,2	12
DP-FSL 200x750	750	663	200	200	120	29	54	G3/4	---	16,2	12
DP-FSL 350x600	600	460	200	350	210	30	55	G1	---	25	---

Suitable connection elements

Type	Suction pad retainers		Suspension bolt
	SAS	SAK	
FSL 100x200 ... FSL 120x300	SAS-M16x1,5-M12	SAK-M16x1,5-M12	FS ... -M16x1,5*
FSL 130x450 ... FSL 200x750	SAS-M20x1,5-M16	SAK-M20x1,5-M16	FS ... -M20x1,5*
FSL 350x600	SAS-M30x1,5-M20	SAK-M30x1,5-M20	FS ... -M20x1,5*

* Double connection, mounted with 2 suspension bolts