

Bellows suction cup, round

GFD 5 - GFD 90 hard design

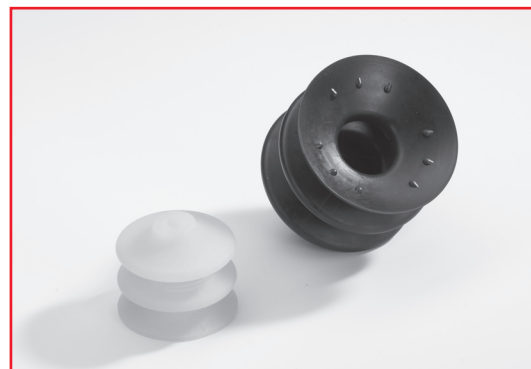
FEZER
Simply move more.

Description

Very elastic and robust bellows suction pad with 2,5 bellows and inner support. The suction pads are clipped on the connection nipple and can be easily exchanged when worn out. Please order connection nipple separately.

Application

- workpieces with curved, uneven surfaces
- for especially soft setting-down
- autonomous height-adjustment on uneven workpieces
- various materials for various requirements



FBS-GFD 5 ... FBS-GFD 90

Article numbers

Type	NBR-S	NBR-S/AS	SI-T	SI-T/AS	CR-W	PU-B	FKM-S	NR-BR	Connection nipple	
									M5-A	G1/4-A
FBS-GFD 5	1.021.0116	1.021.0117	1.021.0118	1.021.0119	1.021.0120	1.021.0121	--	1.021.0122	1.311.0002	--
FBS-GFD 7	1.021.0123	1.021.0124	1.021.0125	1.021.0126	1.021.0127	1.021.0128	--	1.021.0133	1.311.0002	--
FBS-GFD 10	1.021.0038	1.021.0130	1.021.0040	1.021.0131	1.021.0132	1.021.0039	--	1.021.0133	1.311.0003	--
FBS-GFD 15	1.021.0041	1.021.0134	1.021.0043	1.021.0135	1.021.0136	1.021.0042	--	1.021.0137	1.311.0003	--
FBS-GFD 18	1.021.0138	1.021.0139	1.021.0140	1.021.0141	1.021.0142	1.021.0143	1.021.0144	1.021.0145	1.311.0003	--
FBS-GFD 20	1.021.0044	1.021.0146	1.021.0046	1.021.0147	1.021.0148	1.021.0045	1.021.0149	1.021.0150	1.311.0003	--
FBS-GFD 30	1.021.0047	1.021.0151	1.021.0049	1.021.0152	1.021.0153	1.021.0048	1.021.0154	1.021.0155	--	1.311.0005
FBS-GFD 40	1.021.0050	1.021.0156	1.021.0052	1.021.0157	1.021.0158	1.021.0051	--	1.021.0159	--	1.311.0005
FBS-GFD 60	1.021.0056	--	1.021.0058	--	--	1.021.0057	--	--	--	1.311.0005
FBS-GFD 90	1.021.0059	--	1.021.0061	--	--	--	--	--	--	1.311.0008

Technical details

Type	Holding force* (N)	Suction radius min: (mm)	Volume** (l)	Weight (kg)
FBS-GFD 5	0,2	---	0,003	0,001
FBS-GFD 7	0,2	---	0,003	0,001
FBS-GFD 10	1,0	10	0,004	0,001
FBS-GFD 15	1,3	15	0,004	0,001
FBS-GFD 18	6,0	18	0,005	0,001
FBS-GFD 20	13	20	0,005	0,003
FBS-GFD 30	30	28	0,034	0,010
FBS-GFD 40	51	38	0,040	0,029
FBS-GFD 60	96	55	0,080	0,055
FBS-GFD 90	246	85	0,198	0,140

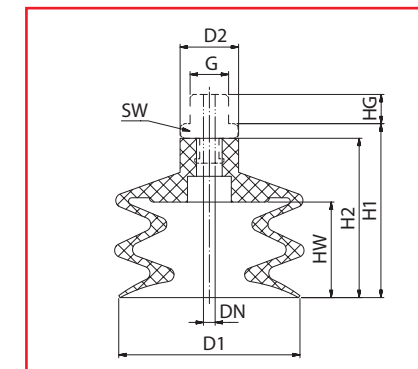
* Specifications at 60 % vacuum w/o safety factor, on smooth, dry surfaces

** Volume with suction pad not engaged and unloaded

Bellows suction cup, round

GFD 5 - GFD 90 hard design

FEZER
Simply move more.



FBS-GFD 5 ... FBS-GFD 90

Dimensions

Type	D1	D2	DN	HW	H1	H2	HG	G	SW
FBS-GFD 5	5	6	2,5	3	10	13,5	4,5	M5	8
FBS-GFD 7	7	6	2,5	3	10	13,5	4,5	M5	8
FBS-GFD 10	9	9	3,5	3	15	17,5	4,5	M5	8
FBS-GFD 15	14	10	3,5	7	23	25,5	4,5	M5	8
FBS-GFD 18	18	10	3,5	8	23	25,5	4,5	M5	8
FBS-GFD 20	20	10	3,5	9	23	25,5	4,5	M5	8
FBS-GFD 30	32	18	3,5	14	37,5	42,5	10	G1/4	17
FBS-GFD 40	42	20	3,5	17	46	51	10	G1/4	17
FBS-GFD 60	62	22	3,5	23	55	60	10	G1/4	17
FBS-GFD 90	88	25	3,5	27	87,5	92,5	10	G1/4	17

Suitable connection elements

Type	Suction pad retainer		Holding bracket	Holders		Suspension bolt
	SAS	SAK		Bushing	Holding joint	
FBS-GFD 5 ... FBS-GFD 30	SAS-M8x1-M5	---	HSW-M8x1-M5	HSB-M5-1/4	HSG-M8x1-M5	FS ... -M8x1
FBS-GFD 40 ... FBS-GFD 60	SAS-M12x1-1/4	---	HSW-M12x1-1/4	HSB-1/4-1/4	HSG-M12x1-1/4	FS ... -M12x1
FBS-GFD 90	SAS-M16x1,5-1/4	---	HSW-M16x1,5-1/4	HSB-1/4-1/4	HSG-M16x1,5-1/4	FS ... -M16x1,5