

Bellows suction cup, round

GDF 20 - GFD 85 Vulkollane

FEZER

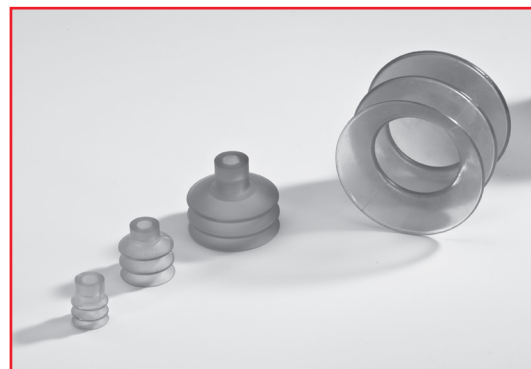
Simply move more.

Description

Very robust and extremely resistant bellows suction pad with 2,5 bellows made of vulkollane. Vulkollane has an up to 10-fold higher durability than other materials and is suitable for the highest strains. The cups are clipped on connection nipples and can be easily exchanged when worn out. Please order the connection nipples separately.

Application

- workpieces with curved surfaces
- heavy-duty with minimum abrasion, especially in multi-shift processes
- Design „ÖN“ with oil groove for higher cross acceleration in oily workpieces



FBS-GFD 20 VU ... FBS-GFD 85 VU-ÖN

Article numbers

Type	VU-BR	Connection nipple G1/4-A
FBS-GFD 20 VU	1.02.1.0110	1.31.1.0021
FBS-GFD 30 VU	1.02.1.0111	1.31.1.0021
FBS-GFD 50 VU	1.02.1.0112	1.31.1.0020
FBS-GFD 60 VU	1.02.1.0113	1.31.1.0020
FBS-GFD 85 VU	1.02.1.0114	1.31.1.0022
FBS-GFD 85 VU-ÖN	1.02.1.0115	1.31.1.0022

Technical details

Type	Holding force* (N)	Suction radius min: (mm)	Volume** (l)	Weight (kg)
FBS-GFD 20 VU	24	20	0,004	0,019
FBS-GFD 30 VU	38	30	0,011	0,024
FBS-GFD 50 VU	95	45	0,048	0,031
FBS-GFD 60 VU	150	55	0,063	0,042
FBS-GFD 85 VU	280	80	0,170	0,112
FBS-GFD 85 VU-ÖN	290	80	0,170	0,112

* Specifications at 60 % vacuum w/o safety factor, on smooth, dry surfaces

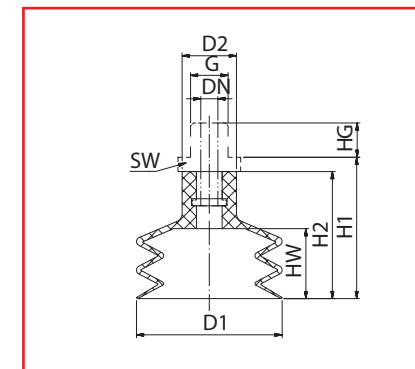
** Volume with suction pad not engaged and unloaded

Bellows suction cup, round

GDF 20 - GFD 85 Vulkollane

FEZER

Simply move more.



FBS-GFD 20 VU ... FBS-GFD 85 VU-ÖN

Dimensions

Type	D1	D2	DN	HW	H1	H2	HG	G	SW
FBS-GFD 20 VU	20	12	6	16	25	33	12	G1/4	19
FBS-GFD 30 VU	30	12	6	16	32	38	12	G1/4	19
FBS-GFD 50 VU	51	15	6	20	45	51	12	G1/4	19
FBS-GFD 60 VU	60	15	6	31	75	81	12	G1/4	19
FBS-GFD 85 VU	85	21	6	41	98	104	10	G1/4	19
FBS-GFD 85 VU-ÖN	85	21	6	41	86	92	10	G1/4	19

Suitable connection elements

Type	Suction pad retainer		Holding bracket	Holders		Suspension bolt
	SAS	SAK		Bushing	Holding joint	
FBS-GFD 20 VU ... FBS-GFD 30 VU	SAS-M8x1-1/4	---	HSW-M8x1-1/4	HSB-1/4-1/4	HSG-M8x1-1/4	FS ... -M8x1
FBS-GFD 50 VU ... FBS-GFD 60 VU	SAS-M12x1-1/4	---	HSW-M12x1-1/4	HSB-1/4-1/4	HSG-M12x1-1/4	FS ... -M12x1
FBS-GFD 85 VU	SAS-M16x1,5-1/4	---	HSW-M16x1,5-1/4	HSB-1/4-1/4	HSG-M16x1,5-1/4	FS ... -M16x1,5