

Bellows suction cup, round

GF 20 - GF 85 Vulkollane

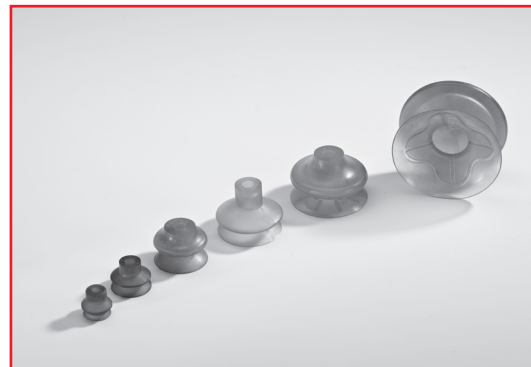
FEZER
Simply move more.

Description

Very robust and extremely resistant bellows suction pad with 1,5 bellows made of vulkollane. Vulkollane has an up to 10-fold higher durability than other materials and is suitable for the highest strains. The cups are clipped on connection nipples and can be easily exchanged when worn out. Please order the connection nipples separately.

Application

- workpieces with curved surfaces
- heavy-duty with minimum abrasion, especially on multi-shift processes
- Design „ÖN“ with oil groove for higher cross acceleration on oily workpieces



FBS-GF 20 VU ... FBS-GF 85 VU-ÖN

Article numbers

Type	VU-BR	Connection nipple G1/4-A
FBS-GF 20 VU	1.02.1.0100	1.31.1.0021
FBS-GF 30 VU	1.02.1.0101	1.31.1.0021
FBS-GF 40 VU	1.02.1.0102	1.31.1.0020
FBS-GF 40 VU-ÖN	1.02.1.0103	1.31.1.0020
FBS-GF 50 VU	1.02.1.0104	1.31.1.0019
FBS-GF 60 VU	1.02.1.0105	1.31.1.0022
FBS-GF 60 VU-ÖN	1.02.1.0106	1.31.1.0022
FBS-GF 85 VU	1.02.1.0107	1.31.1.0022
FBS-GF 85 VU-ÖN	1.02.1.0108	1.31.1.0022

Technical details

Type	Holding force* (N)	Suction radius min: (mm)	Volume** (l)	Weight (kg)
FBS-GF 20 VU	25	15	0,003	0,008
FBS-GF 30 VU	39	25	0,007	0,015
FBS-GF 40 VU	73	30	0,013	0,021
FBS-GF 40 VU-ÖN	75	30	0,015	0,020
FBS-GF 50 VU	106	40	0,028	0,028
FBS-GF 60 VU	160	50	0,034	0,039
FBS-GF 60 VU-ÖN	170	50	0,038	0,035
FBS-GF 85 VU	220	70	0,092	0,098

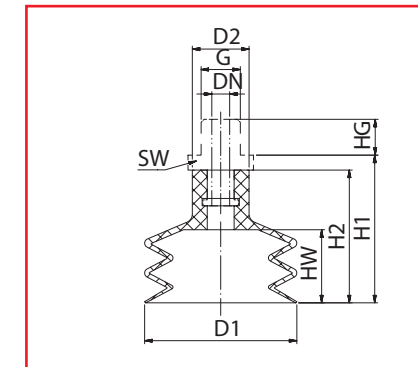
* Specifications at 60 % vacuum w/o safety factor, on smooth, dry surfaces

** Volume with suction pad not engaged and unloaded

Bellows suction cup, round

GF 20 - GF 85 Vulkollane

FEZER
Simply move more.



FBS-GF 20 VU ... FBS-GF 85 VU-ÖN

Dimensions

Type	D1	D2	DN	HW	H1	H2	HG	G	SW
FBS-GF 20 VU	20	15	6	13	18	18	12	G1/4	19
FBS-GF 30 VU	30	15	6	13	22	22	12	G1/4	19
FBS-GF 40 VU	40	21	6	17	30	35	12	G1/4	19
FBS-GF 40 VU-ÖN	40	21	6	17	30	35	12	G1/4	19
FBS-GF 50 VU	51	23	6	24	41	49	10	G1/4	17
FBS-GF 60 VU	60	27	6	28	40	45	10	G1/4	19
FBS-GF 60 VU-ÖN	60	27	6	16	40	45	10	G1/4	19
FBS-GF 85 VU	85	30	6	26	57	62	10	G1/4	19
FBS-GF 85 VU-ÖN	85	30	6	26	57	62	10	G1/4	19

Suitable connection elements

Type	Suction pad retainer		Holding bracket	Holders		Suspension bolt
	SAS	SAK		Bushing	Holding joint	
FBS-GF 20 VU ... FBS-GF 30 VU	SAS-M8x1-1/4	---	HSW-M8x1-1/4	HSB-1/4-1/4	HSG-M8x1-1/4	FS ... -M8x1
FBS-GF 40 VU ... FBS-GF 60 VU	SAS-M12x1-1/4	---	HSW-M12x1-1/4	HSB-1/4-1/4	HSG-M12x1-1/4	FS ... -M12x1
FBS-GF 85 VU	SAS-M12x1-1/4	---	HSW-M16x1,5-1/4	HSB-1/4-1/4	HSG-M16x1,5-1/4	FS ... -M16x1,5