

Sealing profiles

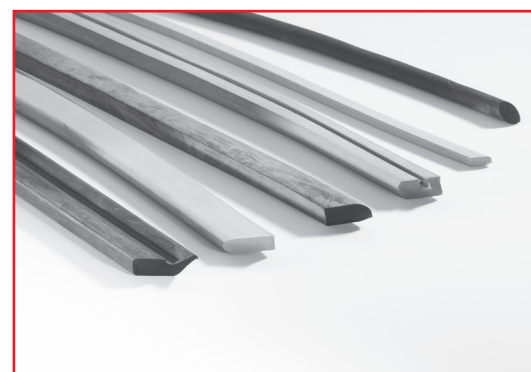
D-RS ... D-PGR

Description

Sealing profiles in metre lengths to install on individually formed bodies. The sealing profiles can be either clipped on or glued.

Application

- Individual suction plates for special geometries
- also suitable for curved and structured surfaces



D-RS 5 ... D-PGR 20x25

Article numbers

Type	Sealing profile	
	M-S	M-SI-W
D-RS 5	6.11.7.0011	6.11.7.0015
D-RS 6	6.11.7.0022	6.11.7.0017
D-RS 8	6.11.7.0018	6.11.7.0019
D-RS 10	6.11.7.0003	6.11.7.0004
D-RS 12	6.11.7.0005	6.11.7.0006
D-RS 15	6.11.7.0007	6.11.7.0008
D-PGO 6x8	2.19.2.0060	---
D-PGO 10x20	2.19.2.0138*	---
D-PGO 12x17	2.19.2.0057	---
D-PGR 10x10	2.19.2.0009	---
D-PGR 10x18	2.19.2.0018	---
D-PGR 20x25	2.19.2.0038	---

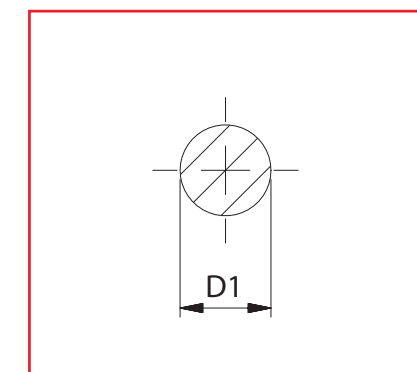
* grey design

FEZER

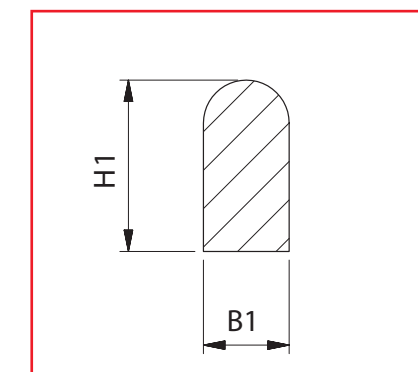
Simply move more.

Sealing profiles

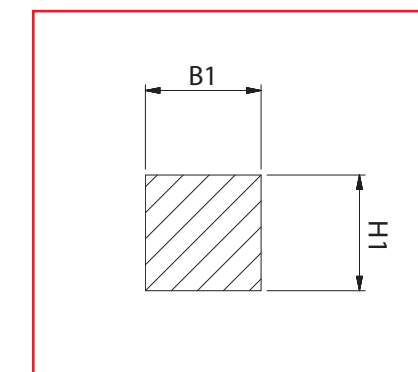
D-RS ... D-PGR



D-RS 5 ... D-RS 15



D-PGO 6x8 ... D-PGO 12x17



D-PGR 10x10 ... D-PGR 20x25

Dimensions

Type	D1	B1	H1	Groove dimensions	
				Width	Depth
D-RS 5	5	---	---	5,2 - 5,5	3,5
D-RS 6	6	---	---	6,3 - 6,6	4,2
D-RS 8	8	---	---	8,4 - 8,8	5,5
D-RS 10	10	---	---	10,5 - 11	7,0
D-RS 12	12	---	---	12,5 - 13	8,5
D-RS 15	15	---	---	15,5 - 16	10,5
D-PGO 6x8	---	---	8	5,8 - 6	4 - 5,5
D-PGO 10x20	---	10	20	9,8 - 10	10 - 14
D-PGO 12x17	---	12	17	11,8 - 12	8,5 - 12
D-PGR 10x10	---	10	10	9,8 - 10	5 - 7
D-PGR 10x18	---	10	18	9,8 - 10	9 - 12,5
D-PGR 20x25	---	20	25	19,5 - 20	12,5 - 17,5

FEZER

Simply move more.