

## Filter Elements

### Water separator WAS

#### Description

Water separator with manual drainage screw and inspection window for visual control. Holding fixture made of stable brass die-cast. The water separator is used to protect valves and pumps from moisture. The drainage screw allows to drain the condensate manually.

#### Application:

- handling of moist to wet workpieces
- on water spray machines and out-door applications
- mounting position horizontal



WAS-1/2 ... WAS-1

#### Article number

Type		Spare glass	Drainage screw
WAS-1/2	1.53.4.0001	2.53.4.0003	2.53.4.0005
WAS-3/4	1.53.4.0002	2.53.4.0001	2.53.4.0005
WAS-1	1.53.4.0006	2.53.4.0001	2.53.4.0005
WAS-11/4	1.53.4.0004	2.53.4.0001	2.53.4.0005
WAS-11/2	1.53.4.0005	2.53.4.0001	2.53.4.0005

#### Technical data

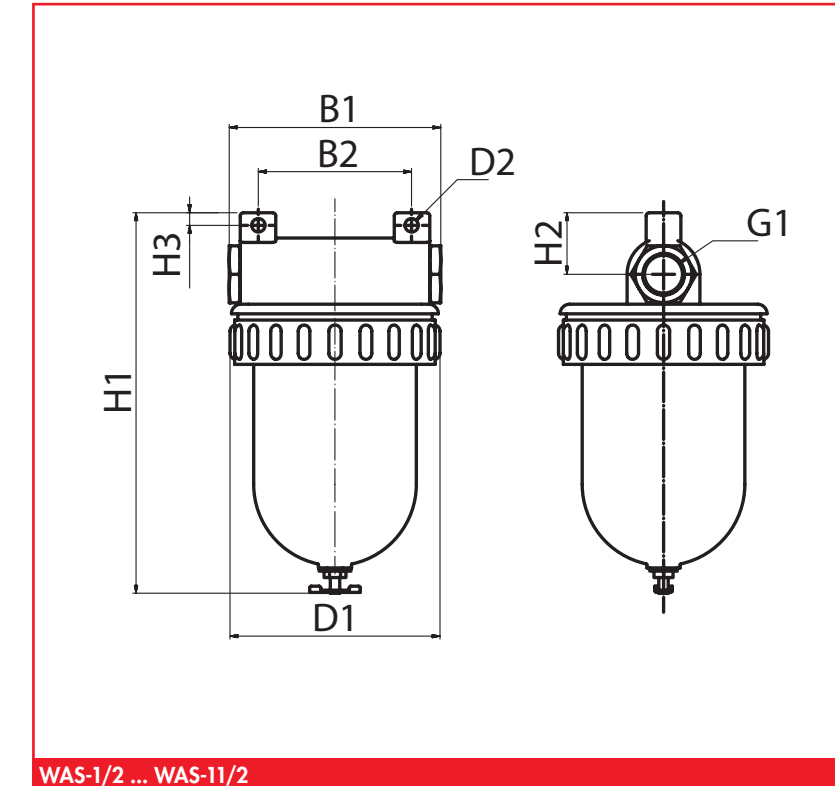
Type	Pressure range (bar)	Flow rate (m³/h)	Flow rate (l/s)	Filter grain size (µm)	Volume (l)	Temperature (°C)	Weight (kg)
WAS-1/2	-1 ... +8	60	16,6	40	0,080	+10 ... +50	1,2
WAS-3/4	-1 ... +8	288	80	40	0,260	+10 ... +50	1,9
WAS-1	-1 ... +8	306	85	40	0,260	+10 ... +50	1,9
WAS-11/4	-1 ... +8	378	105	40	0,260	+10 ... +50	1,9
WAS-11/2	-1 ... +8	396	110	40	0,260	+10 ... +50	1,9

**FEZER**

Simply move more.

## Filter Elements

### Water separator WAS



WAS-1/2 ... WAS-11/2

#### Dimensions

Type	D1	D2	B1	B2	H1	H2	H3	G1
WAS-1/2	87	6	80	50	196	24	6	G1/2
WAS-3/4	133	8,4	120	97	241	36	8	G3/4
WAS-1	133	8,4	134	97	241	36	8	G1
WAS-11/4	133	8,4	134	97	241	45	8	G11/4
WAS-11/2	133	8,4	134	97	241	45	8	G11/2

**FEZER**

Simply move more.