

## Filter Elements

### Vacuum filter VF

#### Description

Vacuum filter in stable metal sheet housing with exchangeable filter cartridge. The filter cartridge is made of micro fibre which reaches a precipitator efficiency of almost 100%.

#### Application:

- dirty surfaces and dusty surroundings
- to protect the vacuum generators and valves
- mounting position vertical



VF-3/8 ... VF-21/2

#### Article number

Type		Filter insert
VF-1/2	1.53.2.0002	2.53.2.0009
VF-3/4	1.53.2.0006	2.53.2.0014
VF-1	1.53.2.0014	2.53.2.0005
VF-11/4A	1.53.2.0003	2.53.2.0005
VF-11/4B	1.53.2.0004	2.53.2.0004
VF-21/2	1.53.2.0005	2.53.2.0006

#### Technical data

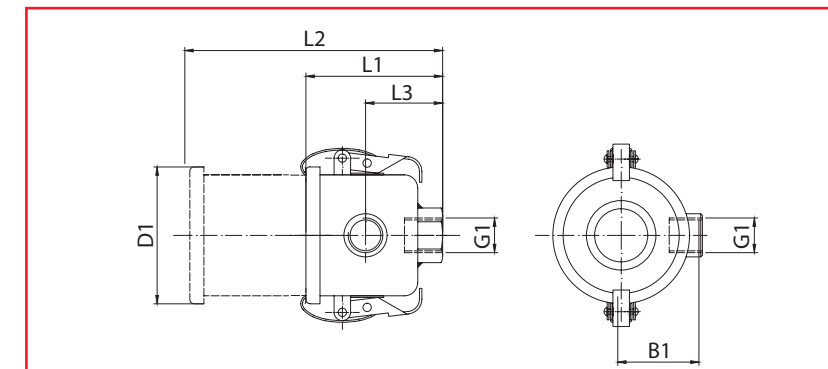
Type	Pressure range (bar)	Flow rate (m³/h)	Flow rate (l/s)	Filter grain size (µm)	Temperature (°C)	Weight (kg)
VF-1/2	-1 ... 0	12	3,3	5	-10 ... +60	0,12
VF-3/4	-1 ... 0	42	11,6	5	-10 ... +60	0,60
VF-1	-1 ... 0	85	23,6	5	-10 ... +60	0,85
VF-11/4A	-1 ... 0	96	26,6	5	-10 ... +60	1,06
VF-11/4B	-1 ... 0	108	30,0	5	-10 ... +60	1,25
VF-21/2	-1 ... 0	360	100	5	-10 ... +60	1,88

# FEZER

Simply move more.

## Filter Elements

### Vacuum filter VF



VF-3/8 ... VF-21/2

#### Dimensions

Type	D1	B1	L1	L2	L3	G1
VF-1/2	82,5	49	82,5	155	46,5	G 1/2
VF-3/4	97	59	89,5	165	45	G3/4
VF-1	133	76	97	175	51	G1
VF-11/4A	136	81	116	195	68	G11/4
VF-11/4B	172	98	170	310	108	G11/4
VF-21/2	194	123	247	470	119	G21/2

# FEZER

Simply move more.