

## Filter Elements

### Vacuum filter VFT

#### Description

Vacuum filter with stable and transparent plastic housing. This allows to verify the grade of pollution at any time. The filter cartridge is easily and quickly exchangeable.

#### Application:

- for medium to high grades of pollution
- to protect vacuum generators and sensitive valves
- horizontal mounting position



VFT-1/8 ... VFT-1/2

#### Article number

Type		Filter insert	Holding plate
VFT-1/8	1.53.2.0020	2.53.2.0032	2.53.2.0038
VFT-1/4	1.53.2.0018	2.53.2.0032	2.53.2.0038
VFT-3/8	1.53.2.0028	2.53.2.0032	2.53.2.0038
VFT-1/2	1.53.2.0021	2.53.2.0032	2.53.2.0038
VFT-3/4	1.53.2.0022	2.53.2.0033	2.53.2.0039

#### Technical data

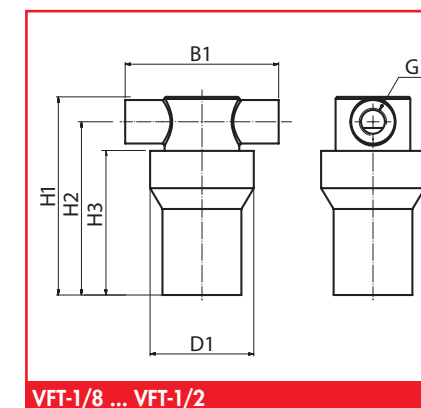
Type	Pressure range (bar)	Flow rate (m³/h)	Flow rate (l/s)	Filter grain size (µm)	Temperature (°C)	Weight (kg)
VFT-1/8	-1 ... +5	30	8,3	80	-5 ... +50	0,05
VFT-1/4	-1 ... +5	40	11,1	80	-5 ... +50	0,05
VFT-3/8	-1 ... +5	45	12,5	80	-5 ... +50	0,08
VFT-1/2	-1 ... +5	80	22,2	80	-5 ... +50	0,08
VFT-3/4	-1 ... +5	108	30,0	80	-5 ... +50	0,15

# FEZER

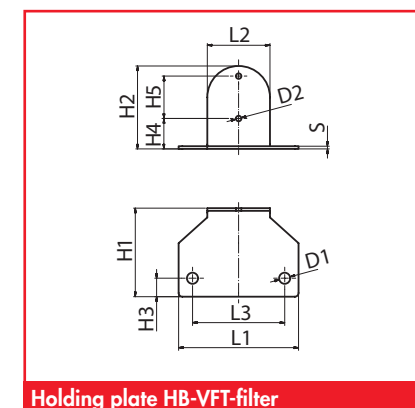
Simply move more.

## Filter Elements

### Vacuum filter VFT



VFT-1/8 ... VFT-1/2



Holding plate HB-VFT-filter

#### Dimensions filter

Type	H1	H2	H3	B1	B2	D1	G1
VFT-1/8	92,5	83	69,5	58	29	50	G1/8
VFT-1/4	95,5	85	69,5	74	37	50	G1/4
VFT-3/8	98,5	86	69,5	74	37	50	G3/8
VFT-1/2	102,5	88	69,5	74	37	50	G1/2
VFT-3/4	134	117	92	90	48	76	G3/4

#### Dimensions holding plate

Type	L1	L2	L3	H1	H2	H3	H4	H5	D1	D2	S
HB-VFT-1/8	65	34	50	48	45	10	16,5	23	6	3	1,5
HB-VFT-1/4	65	34	50	48	45	10	16,5	23	6	3	1,5
HB-VFT-3/8	65	34	50	48	45	10	16,5	23	6	3	1,5
HB-VFT-1/2	65	34	50	48	45	10	16,5	23	6	3	1,5
HBVFT-3/4	85	51	70	52	70	10	26,5	33	6	3	1,5