

Filter Elements

Ventilation filter BFS

Description

Robust ventilation filter in sintered metal design. Its small size allows to use the filter in cramped spaces. To clean them the ventilation filters can be blown out with compressed air contrary to the suction direction.

Application:

- to protect vacuum valves on the ventilation side
- any mounting position



BFS-1/4 ... BFS-3/4

Article number

Type	Article number
BFS-1/8	1.53.1.0012
BFS-1/4	1.53.1.0013
BFS-1/2	1.53.1.0014
BFS-3/4	1.53.1.0015
BFS-1	1.53.1.0016

Technical data

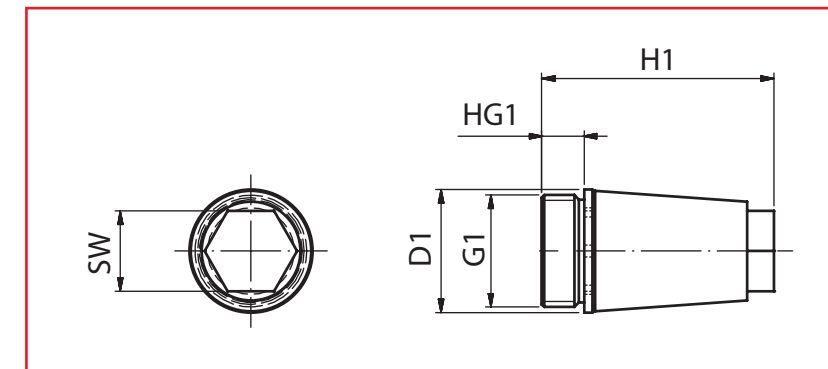
Type	Pressure range (bar)	Flow rate (m³/h)	Flow rate (l/s)	Filter grain size (µm)	Temperature (°C)	Weight (kg)
BFS-1/8	-1 ... +10	10	2,8	93	-10 ... +60	0,006
BFS-1/4	-1 ... +10	16,5	4,5	145	-10 ... +60	0,012
BFS-1/2	-1 ... +10	30	8,3	407	-10 ... +60	0,041
BFS-3/4	-1 ... +10	60	16,6	762	-10 ... +60	0,083
BFS-1	-1 ... +10	90	25	900	-10 ... +60	0,144

FEZER

Simply move more.

Filter Elements

Ventilation filter BFS



BFS-1/4 ... BFS-1

Dimensions

Type	D1	H1	G1	HG1	SW
BFS-1/8	11,5	21,5	G1/8	4,5	8
BFS-1/4	15	28	G1/4	6	10
BFS-1/2	23	43,5	G1/2	8	15
BFS-3/4	30	56	G3/4	9	19
BFS-1	37	68,5	G1	11	24

FEZER

Simply move more.