

Connection Elements

Rigid suction pad retainer SAS

FEZER
Simply move more.

Description

Stable and robust suction pad retainers made of high-quality aluminum (outer thread in inches) or galvanized steel (metric thread). The suction pad retainers have a through-hole which also serves for an integrated vacuum feed (exceptions see table). For suction plates with a body the retainers are equipped with an o-ring which seals the connection.

Application

- rigid connection on suspension bolt and holders
- smooth, even surfaces



SAS-M8x1-M5 ... SAS-M30x1,5-M24

Article number

Type	
SAS-M8x1-M5	1.31.2.0126
SAS-M8x1-1/8	1.31.2.0124
SAS-M12x1-1/8	1.31.2.0063
SAS-M12x1-1/4	1.31.2.0064
SAS-M12x1-3/8	1.31.2.0125
SAS-M16x1,5-1/4	1.31.2.0102
SAS-M16x1,5-3/8	1.31.2.0103
SAS-M16x1,5-M8*	1.31.2.0100
SAS-M16x1,5-M12*	1.31.2.0101
SAS-M16x1,5-M16*	1.31.2.0072
SAS-M20x1,5-M16*	1.31.2.0073
SAS-M20x1,5-M20**	1.31.2.0027
SAS-M30x1,5-M24**	1.31.2.0028

* Design with o-ring sealing suction pad with body

** w/o integrated vacuum feed

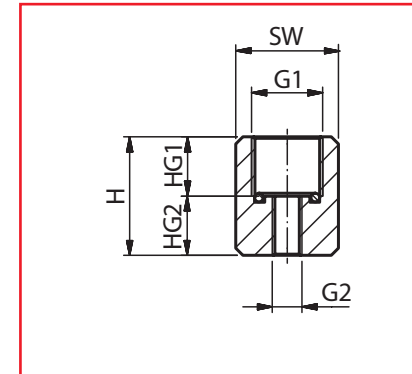
Technical data

Type	Tensile strain max. (N)	Bending mom. max. (Nm)	Temperature (°C)	Weight (kg)
SAS-M8x1-M5	80	4	-10 ... +80	0,009
SAS-M8x1-1/8	80	4	-10 ... +80	0,008
SAS-M12x1-1/8	250	20	-10 ... +80	0,010
SAS-M12x1-1/4	250	20	-10 ... +80	0,012
SAS-M12x1-3/8	250	20	-10 ... +80	0,014
SAS-M16x1,5-1/4	600	60	-10 ... +80	0,025
SAS-M16x1,5-3/8	600	60	-10 ... +80	0,023
SAS-M16x1,5-M8*	250	60	-10 ... +80	0,060
SAS-M16x1,5-M12*	600	60	-10 ... +80	0,074
SAS-M16x1,5-M16*	1.250	60	-10 ... +80	0,078
SAS-M20x1,5-M16*	2.500	120	-10 ... +80	0,102
SAS-M20x1,5-M20**	5.500	120	-10 ... +80	0,993
SAS-M30x1,5-M24**	9.500	350	-10 ... +80	0,918

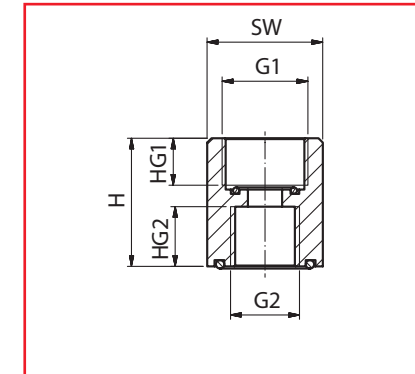
Connection Elements

Rigid suction pad retainer SAS

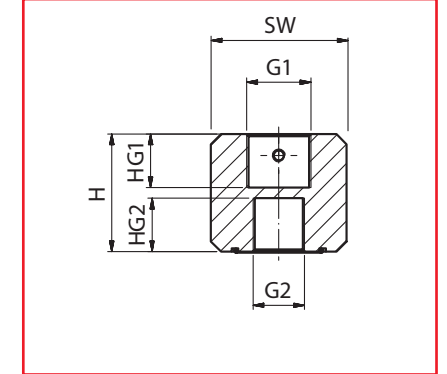
FEZER
Simply move more.



SAS-M8x1 ...



SAS-M16x1,5 ... SAS-M20x1,5



SAS-M20x1,5-M24 ... SAS-M30x1,5-M24

Dimensions

Type	H	G1	G2	HG1	HG2	SW
SAS-M8x1-M5	28	M8x1	M5	10	10	13
SAS-M8x1-1/8	28	M8x1	G1/8	10	10	13
SAS-M12x1-1/8	28	M12x1	G1/8	10	10	15
SAS-M12x1-1/4	28	M12x1	G1/4	10	12	17
SAS-M12x1-3/8	28	M12x1	G3/8	10	12	19
SAS-M16x1,5-1/4	28	M16x1,5	G1/4	10	10	24
SAS-M16x1,5-3/8	28	M16x1,5	G3/8	10	10	24
SAS-M16x1,5-M8*	28	M16x1,5	M8	10	10	24
SAS-M16x1,5-M12*	28	M16x1,5	M12	10	10	24
SAS-M16x1,5-M16*	30	M16x1,5	M16	10	13	24
SAS-M20x1,5-M16*	30	M20x1,5	M16	12	14	27
SAS-M20x1,5-M20**	55	M20x1,5	M20	25	25	55
SAS-M30x1,5-M24**	55	M30x1,5	M24	25	25	55