

Single Components

Cross clamping pieces KKS

Description

Robust cross clamping piece made of high-quality aluminum for bolt connection to hollow profiles. The cross clamping pieces are available in several sizes for various bolt diameters. All cross clamping pieces are supplied with clamping lever.

Application

- for individual installation of suspension bolts to fasten to hollow profiles
- for bolt diameters 8, 12, 16 and 20 mm
- can be adjusted and clamped by levers

Article number

Type	
KKS-30-12	1.33.2.0136
KKS-30-16	1.33.2.0135
KKS-40-16	1.33.2.0111
KKS-40-20	1.33.2.0120

Technical data

Type	Profile dims (mm)	Bolt-Ø (mm)	Tensile load max. (N)	Bending mom. max. (Nm)	Temperature (°C)	Weight (kg)
KKS-30-12	30x30	12	1.250	50	0 ... 80	0,20
KKS-30-16	30x30	16	1.250	50	0 ... 80	0,20
KKS-40-16	40x40	16	2.500	100	0 ... 80	0,25
KKS-40-20	40x40	20	2.500	100	0 ... 80	0,25

FEZER

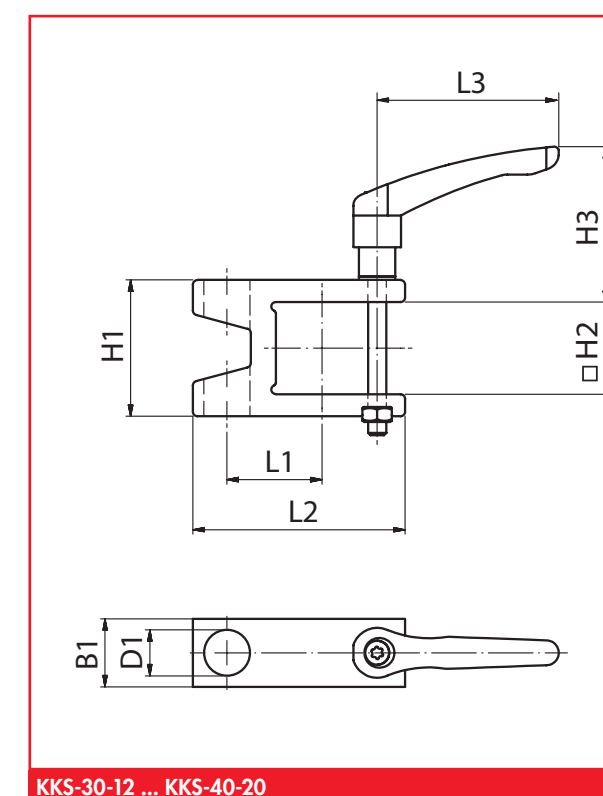
Simply move more.



KKS-30-12 ... KKS-40-20

Single Components

Cross clamping pieces KKS



KKS-30-12 ... KKS-40-20

Dimensions

Type	L1	L2	L3	B1	H1	H2	H3	D1
KKS-30-12	36,5	83,5	80	25	50	30,5	69	12,2
KKS-30-16	36,5	83,5	80	25	50	30,5	69	16,2
KKS-40-16	41,5	92,5	80	25	60	40,5	69	16,2
KKS-40-20	41,5	92,5	80	30	60	40,5	69	20,2

FEZER

Simply move more.