

## Holder for Suction Pads

### Bushing HSB

#### Description

Stable connection bushing made of brass with outer thread to be used in limited space conditions. The height adjustment of the bushing can compensate for any unevenness of the workpiece. Bushings with metric threads are designed for connection to suction pads with body and are sealed with an o-ring.

#### Application

- used for limited space applications
- compensation of height differences
- simple and quick installation
- mounted on suspension bolt for bottom vacuum feed

#### Article number

Type	
HSB-1/8-M5	1.34.1.0007
HSB-1/8-1/8	1.34.1.0008
HSB-1/4-1/4	1.34.1.0009
HSB-3/8-3/8	1.34.1.0013
HSB-1/8-M8*	1.34.1.0010
HSB-1/4-M12*	1.34.1.0011
HSB-1/2-M16*	1.34.1.0012

\* design with o-ring sealing

#### Technical data

Type	Tensile load max. (N)	Bending mom. max. (Nm)	Temperature (°C)	Weight (kg)
HSB-1/8-M5	100	20	-10 ... +80	0,20
HSB-1/8-1/8	200	20	-10 ... +80	0,18
HSB-1/4-1/4	300	20	-10 ... +80	0,28
HSB-3/8-3/8	600	60	-10 ... +80	0,27
HSB-1/8-M8*	200	20	-10 ... +80	0,19
HSB-1/4-M12*	600	60	-10 ... +80	0,32
HSB-1/2-M16*	2.500	60	-10 ... +80	0,48

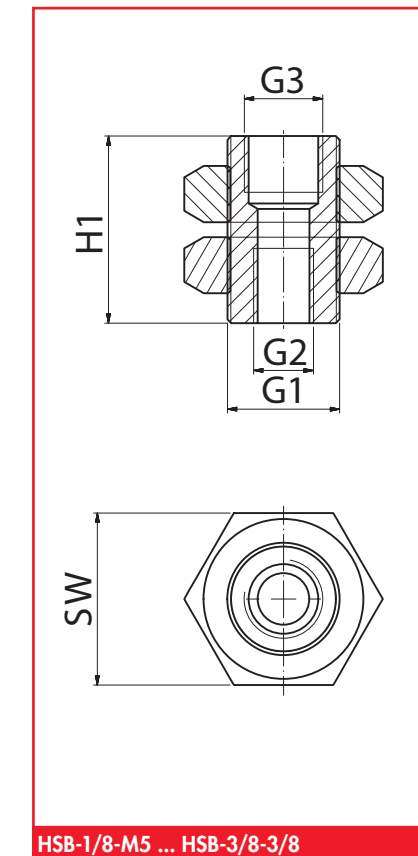
**FEZER**  
Simply move more.



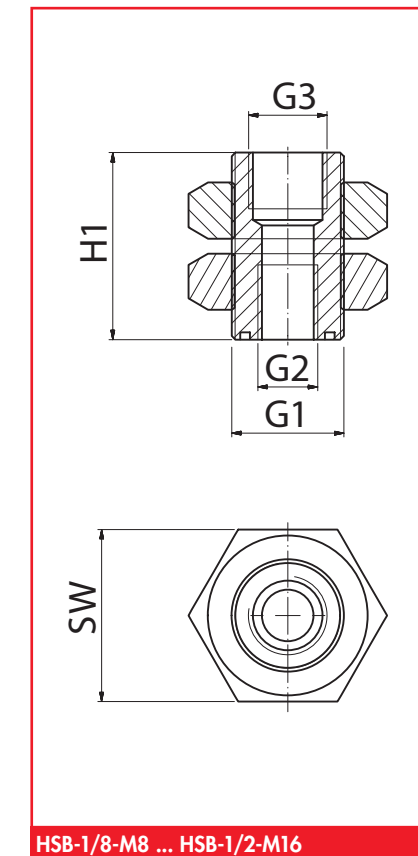
HSB-1/8-M5 ... HSB-1/2-M16

## Holder for Suction Pads

### Bushing HSB



HSB-1/8-M5 ... HSB-3/8-3/8



HSB-1/8-M8 ... HSB-1/2-M16

#### Dimensions

Type	H1	G1	G2	G3	SW
HSB-1/8-M5	50	M16x1,5	M5	G1/8	30
HSB-1/8-1/8	50	M16x1,5	G1/8	G1/8	30
HSB-1/4-1/4	50	M20x1,5	G1/4	G1/4	36
HSB-3/8-3/8	60	M24x1,5	G3/8	G3/8	36
HSB-1/8-M8*	50	M16x1,5	M8	G1/4	30
HSB-1/4-M12*	50	M20x1,5	M12	G1/4	36
HSB-1/2-M16*	60	M30x1,5	M16	G1/2	46

**FEZER**  
Simply move more.