

Suspension Bolt

with bushing and turn-proof FSBI-DG

FEZER
Simply move more.

Description

Turn-proof suspension bolt made of high-quality aluminum with integrated vacuum feed and internal damping spring. The suspension bolt is hard-coated with a high longevity. The end positions is dampened by an o-ring. The bolt is also sealed with an o-ring against the suction pad retainers.

Application

- applications with high cycle rates
- when using oval suction plates
- soft touchdown on workpieces
- height adjustment via outside thread of the bushing



FSBI-DG-M8x1 ... FSBI-DG-M20x1,5

Article number

Type	Article number
FSBI-DG-M8x1-25	1.34.2.0055
FSBI-DG-M12x1-25	1.34.2.0056
FSBI-DG-M16x1,5-50	1.34.2.0057
FSBI-DG-M20x1,5-50	1.34.2.0058

Technical data

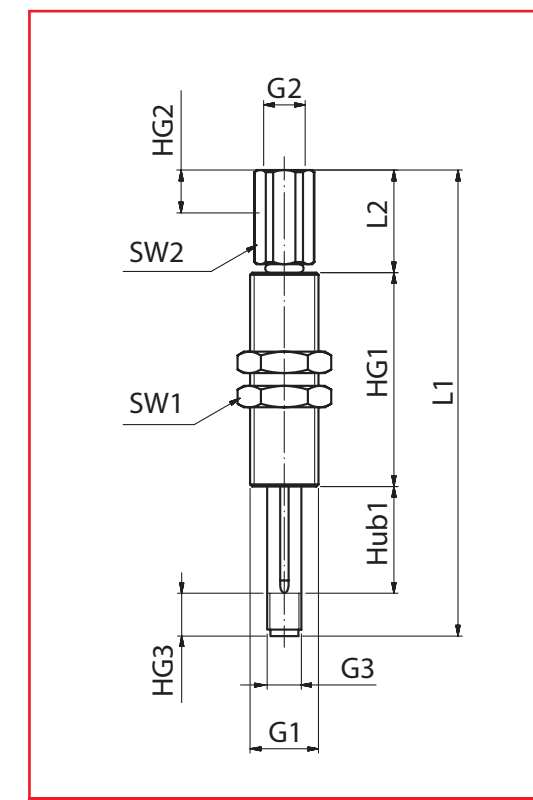
Type	Bolt stroke (mm)	Spring rate (N/mm)	Spring force max. (N)*	Tensile load max. (N)	Bending mom. max. (Nm)	Volume (l)	Temperature (°C)	Weight (kg)
FSBI-DG-M8x1-25	25	0,138	7,0	200	4	0,002	-10 ... +60	0,058
FSBI-DG-M12x1-25	25	0,176	10,1	800	10	0,003	-10 ... +60	0,084
FSBI-DG-M16x1,5-50	50	0,191	15,3	1.200	25	0,005	-10 ... +60	0,202
FSBI-DG-M20x1,5-50	50	0,224	18,3	2.500	50	0,008	-10 ... +60	0,259

* lower spring force at 50% of bolt stroke

Suspension Bolt

with bushing and turn-proof FSBI-DG

FEZER
Simply move more.



FSBI-DG-M8x1 ... FSBI-DG-M20x1,5

Dimensions

Type	L1	L2	Hub1	G1	G2	G3	HG1	HG2	HG3	SW1	SW2
FSBI-DG-M8x1-25	109	24	25	M16x1,5	G1/8	M8x1	50	10	10	19	13
FSBI-DG-M12x1-25	109	24	25	M20x1,5	G1/8	M12x1	50	10	10	24	13
FSBI-DG-M16x1,5-50	166	25	50	M24x1,5	G3/8	M16x1,5	81	10	10	32	19
FSBI-DG-M20x1,5-50	166	25	50	M30x1,5	G3/8	M20x1,5	81	10	10	36	19