

Suspension Bolt

with bushing and turn-proof FSBB-DG

FEZER
Simply move more.

Description

Turn-proof suspension bolt made of high-quality aluminum with integrated vacuum feed and upper and lower dampening spring. The bolt is hard-coated with a high longevity. The suspension bolt can be directly mounted in drillings or with appropriate holders. The bolt is sealed with an o-ring against the suction pad retainers.

Application

- applications with high cycle rates
- soft touch-down on workpieces
- workpieces with uneven surfaces (load compensation)
- use of oval suction plates
- height adjustment via outer thread on the bushing



FSBB-M8x1- ... FSBB-M20x1.5-

Article number

| Type | Bolt stroke 25 mm | Bolt stroke 50 mm | Bolt stroke 75 mm |
|-----------------|----------------------|----------------------|----------------------|
| FSBB-DG-M8x1 | 1.34.3.0073 | --- | --- |
| FSBB-DG-M12x1 | 1.34.3.0066 | 1.34.3.0067 | --- |
| FSBB-DG-M16x1,5 | --- | 1.34.3.0064 | 1.34.3.0065 |
| FSBB-DG-M20x1,5 | --- | 1.34.3.0070 | 1.34.3.0071 |

Technical data

| Type | Bolt stroke (mm) | Spring rate (N/mm) | Spring force max. (N)* | Tensile load max. (N)** | Bending mom. max. (Nm) | Volume (l) | Temperature (°C) | Weight (kg) |
|--------------------|---------------------|-----------------------|---------------------------|----------------------------|---------------------------|---------------|---------------------|----------------|
| FSBB-DG-M8x1-25 | 25 | 0,921 | 24,8 | 70 | 4 | 0,006 | -10 ... +60 | 0,10 |
| FSBB-DG-M12x1-25 | 25 | 2,545 | 63,6 | 350 | 10 | 0,007 | -10 ... +60 | 0,16 |
| FSBB-DG-M12x1-50 | 50 | 1,647 | 47,7 | 350 | 10 | 0,008 | -10 ... +60 | 0,18 |
| FSBB-DG-M16x1,5-50 | 50 | 1,944 | 105,0 | 1.200 | 25 | 0,012 | -10 ... +60 | 0,35 |
| FSBB-DG-M16x1,5-75 | 75 | 1,512 | 118,7 | 1.200 | 25 | 0,014 | -10 ... +60 | 0,37 |
| FSBB-DG-M20x1,5-50 | 50 | 3,997 | 200,8 | 2.500 | 50 | 0,016 | -10 ... +60 | 0,65 |
| FSBB-DG-M20x1,5-75 | 75 | 2,574 | 193,0 | 2.500 | 50 | 0,012 | -10 ... +60 | 0,68 |

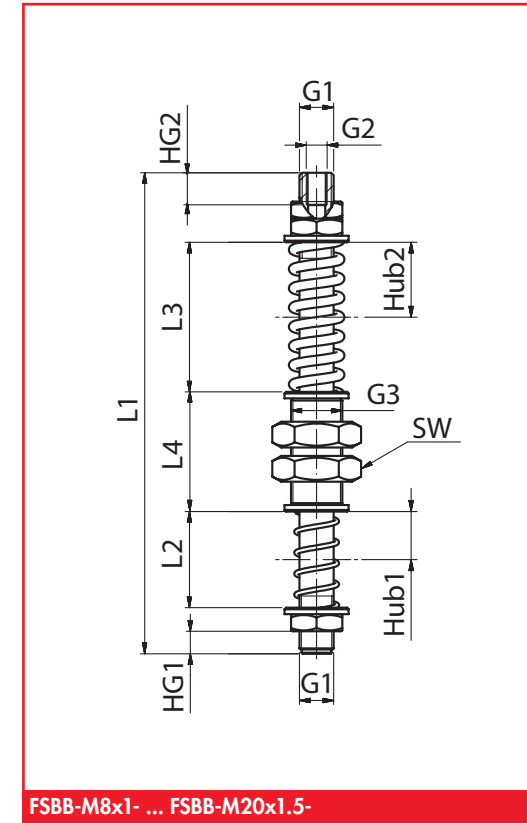
* lower spring force at 50% of bolt stroke

** Tensile load refers to 50% stroke of the upper spring. Mounted suction pads must not exceed these capacities.

Suspension Bolt

with bushing and turn-proof FSBB-DG

FEZER
Simply move more.



FSBB-M8x1- ... FSBB-M20x1.5-

Dimensions

| Type | L1 | L2 | L3 | L4 | Hub1 | Hub2 | G1 | G2 | G3 | HG1 | HG2 | SW |
|--------------------|-----|-------|------|----|------|------|---------|------|---------|------|-----|----|
| FSBB-DG-M8x1-25 | 157 | 39 | 44,5 | 50 | 25 | 20 | M8x1 | M5 | M16x1,5 | 10,5 | 10 | 24 |
| FSBB-DG-M12x1-25 | 165 | 51 | 41 | 50 | 25 | 20 | M12x1 | M5 | M20x1,5 | 10,5 | 10 | 30 |
| FSBB-DG-M12x1-50 | 190 | 73,5 | 41 | 50 | 50 | 20 | M12x1 | M5 | M20x1,5 | 10,5 | 10 | 30 |
| FSBB-DG-M16x1,5-50 | 250 | 81 | 70 | 60 | 50 | 24 | M16x1,5 | G1/8 | M24x1,5 | 10,5 | 15 | 36 |
| FSBB-DG-M16x1,5-75 | 280 | 111,5 | 70 | 60 | 75 | 24 | M16x1,5 | G1/8 | M24x1,5 | 10,5 | 15 | 36 |
| FSBB-DG-M20x1,5-50 | 260 | 74 | 80 | 60 | 50 | 24 | M20x1,5 | G1/4 | M30x1,5 | 10,5 | 15 | 46 |
| FSBB-DG-M20x1,5-75 | 300 | 115 | 80 | 60 | 75 | 13 | M20x1,5 | G1/4 | M30x1,5 | 10,5 | 15 | 46 |