

Connection Elements

Connection screws for suction pads AS

Description

Robust connection screws for suction pads with body. The screws are available with and without through-hole, depending on the connection to the pad.

Application

- to fasten suction pads with body
- in connection with suction pad retainers SAS/SAK
- in connection with holders for suction pads



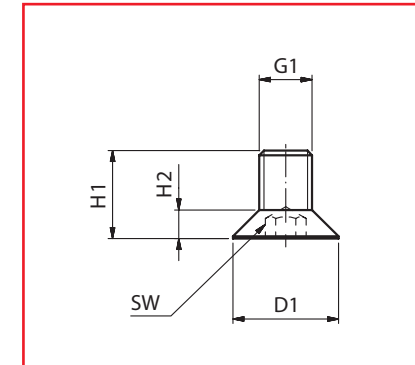
AS-M5 ...ASB-M16

Article number

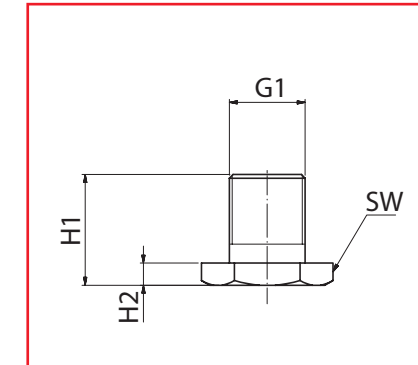
Type		Temperature (°C)	Weight (kg)
AS-M5-20	1.31.2.0108	-10 ... +80	0,004
AS-M8-16	1.31.2.0076	-10 ... +80	0,010
AS-M12-17	1.31.2.0010	-10 ... +80	0,022
AS-M12-20	1.31.2.0011	-10 ... +80	0,025
AS-M16-22	1.31.2.0035	-10 ... +80	0,042
AS-M24x1,5-28	1.31.2.0069	-10 ... +80	0,120
AS-M24x1,5-30	1.31.2.0029	-10 ... +80	0,160
ASB-M5-20	1.31.2.0009	-10 ... +80	0,003
ASB-M8-16	1.31.2.0068	-10 ... +80	0,008
ASB-M12-17	1.31.2.0003	-10 ... +80	0,020
ASB-M12-20	1.31.2.0082	-10 ... +80	0,022
ASB-M12-25	1.31.2.0083	-10 ... +80	0,026
ASB-M16-23	1.31.2.0046	-10 ... +80	0,036

Connection Elements

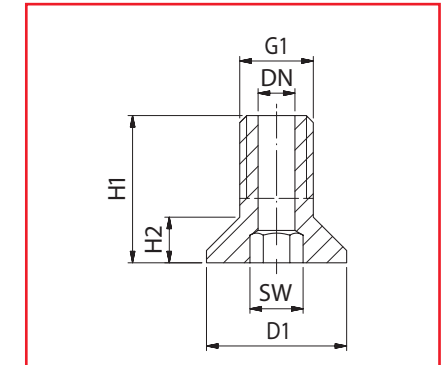
Connection screws for suction pad AS



AS-M5 ... M16



AS-M24x1,5-28



ASB-M5 ... M16

Dimensions

Type	D1	DN	H1	H2	G1	SW
AS-M5-20	11	---	20	3	M5	3
AS-M8-16	18	---	16	5	M8	5
AS-M12-17	27	---	17	7,5	M12	8
AS-M12-20	27	---	20	7,5	M12	8
AS-M16-22	33,5	---	22	8,8	M16	10
AS-M24x1,5-28	---	---	34	6	M24x1,5	36
AS-M24x1,5-30	---	---	42	12	M24x1,5	36
ASB-M5-20	11	2	20	3	M5	3
ASB-M8-16	18	4	16	5	M8	5
ASB-M12-17	27	8	17	7,5	M12	8
ASB-M12-20	27	8	20	7,5	M12	8
ASB-M12-25	27	8	25	7,5	M12	8
ASB-M16-20	33,5	10	23	8,8	M16	10